

SPARE PARTS LIST

f o r

Far infrared heater

Type

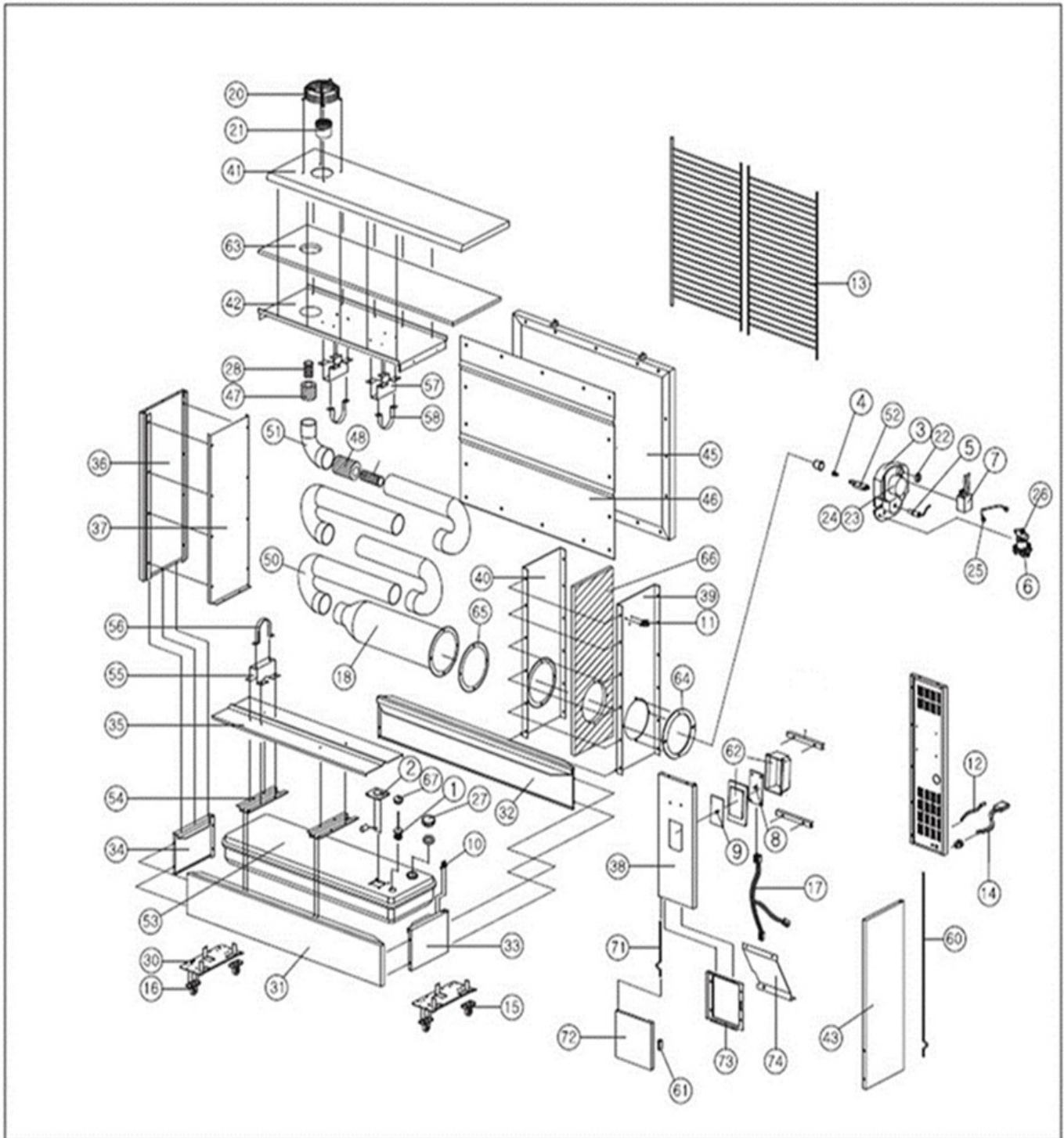
◆ FIR1300 for 120V

April 2021

Shizuoka Seiki Co.,Ltd.

* PRICES AND SPECIFICATIONS ARE SUBJECT TO CHANGE WITHOUT NOTICE*

• FIR-1300



No.	JSO code	Parts code	Part name	Q'ty/ unit	1300	Remarks	Alternate names
1	VAL-TKH080-001	TKH080-001	Filter	1	●		VAL-FIR-1-01
---	VAL-TKH080-SS1	TKH080-SS1	Filter only	1	●	Not shown	VAL-FIR-1-SS1
2	VAL-TKH080-002	TKH080-002	Fuel Gauge	1	●		VAL-FIR-1-02
3	VAL-TKH121-003	TKH121-003	Burner	1	●		
4	VAL-TKH121-004(0.4G)	TKH121-004(0.4G)	Nozzle	1	●		
5	VAL-TKH080-005	TKH080-005	Photocell	1	●		VAL-FIR-1-05
6	VAL-TKH121-006	TKH121-006	Pump	1	●		
7	VAL-TKH080-007	TKH080-007	Ignitor	1	●		VAL-FIR-1-07
8	VAL-TKH080-008(SS)	TKH080-008(SS)	P.C.B	1	●		
9	VAL-TKH080-009	TKH080-009	Name Plate	1	●	No.8,9 & 62 being assembled	
10	VAL-TKH080-010	TKH080-010	Tip Over Switch	1	●		VAL-FIR-1-10
11	VAL-TKH080-011	TKH080-011	Thermostat	1	●		VAL-FIR-1-11
12	VAL-TKH080-012(SS)	TKH080-012(SS)	Thermistor	1	●		
13	VAL-TKH121-013	TKH121-013	Front Safety Wire	1	●		
14	VAL-TKH080-014	TKH080-014	Power code	1	●		VAL-FIR-1-14
15	VAL-TKH080-015	TKH080-015	Caster (R/B)	2	●		
16	VAL-TKH080-016	TKH080-016	Caster (R)	2	●		
17	VAL-TKH080-017	TKH080-017	Read Wire	1	●		
18	VAL-TKH121-018	TKH121-018	Combustion	1	●		
20	VAL-TKH080-020(SS)	TKH080-020(SS)	Exhaust Safety Wire	1	●		VAL-FIR-1-20
21	VAL-TKH080-021	TKH080-021	Exhaust Cap	1	●		VAL-FIR-1-21
22	VAL-TKH080-022	TKH080-022	Airoutlet	1	●		
23	VAL-TKH080-023	TKH080-023	Fan	1	●		VAL-FIR-1-23
24	VAL-TKH080-024	TKH080-024	Motor	1	●		
25	VAL-TKH080-025	TKH080-025	Oil Pipe	4	●		VAL-FIR-1-25
26	VAL-TKH080-026	TKH080-026	Solenoid Valve	1	●		VAL-FIR-1-26
27	VAL-TKH080-027	TKH080-027	Fuel Cap	1	●		VAL-FIR-1-27
28	VAL-TKH080-028	TKH080-028	Silencer Pipe(S)	2	●	FIR2000*1pc	VAL-FIR-1-28
30	VAL-TKH080-030	TKH080-030	Caster B/K	2	●		
31	VAL-TKH120-031	TKH120-031	Front Base	1	●	available in request at production No.31 - 42 and No.44 - 46: rivet assembly	
32	VAL-TKH120-032	TKH120-032	Rear Base	1	●		
33	VAL-TKH080-033	TKH080-033	Right Base	1	●		
34	VAL-TKH080-034	TKH080-034	Left Base	1	●		
35	VAL-TKH120-035	TKH120-035	Bottom Reflector	1	●		
36	VAL-TKH080-036	TKH080-036	Left Cover	1	●		
37	VAL-TKH080-037	TKH080-037	Left Reflector	1	●		
38	VAL-TKH120-038	TKH120-038	Cont. Front Cover	1	●		
39	VAL-TKH080-039	TKH080-039	Burner Cover	1	●		
40	VAL-TKH080-040	TKH080-040	Right Reflector	1	●		
41	VAL-TKH120-041	TKH120-041	Top Cover	1	●		
42	VAL-TKH120-042	TKH120-042	Top Reflector	1	●		
43	VAL-TKH080-043	TKH080-043	Door	1	●		
45	VAL-TKH120-045	TKH120-045	Rear Cover	1	●		
46	VAL-TKH120-046	TKH120-046	Rear Reflector	1	●		
47	VAL-TKH080-047	TKH080-047	Silencer Wool(S)	2	●		

No.	JSO code	Parts code	Part name	Q'ty/ unit	1300	Remarks	Alternate names
48	VAL-TKH120-048	TKH120-048	Silencer Wool(L)	1	●		
50	VAL-TKH120-050	TKH120-050	Tube J	3	●		
51	VAL-TKH120-051	TKH120-051	Tube- L	1	●	Silver for 2000wood	
52	VAL-TKH080-052	TKH080-052	Spark plug	1	●		VAL-FIR-1-52
53	VAL-TKH120-053	TKH120-053	Tank	1	●		
54	VAL-TKH080-054	TKH080-054	Tank Support B/K	2	●		VAL-FIR-1-54
55	VAL-TKH120-055	TKH120-055	Combustion Support	1	●		VAL-FIR-1-55
56	VAL-TKH120-056	TKH120-056	Combustion Bend	1	●		VAL-FIR-1-56
57	VAL-TKH120-057	TKH120-057	Tube Support-B	2	●		VAL-FIR-1-57
58	VAL-TKH120-058	TKH120-058	Tube Bend	2	●		VAL-FIR-1-58
60	VAL-TKH080-060	TKH080-060	Door Pin	1	●		
61	VAL-TKH080-061	TKH080-061	Magnet	2	●		VAL-FIR-1-61
62	VAL-TKH100-062	TKH100-062	Control Box	1	●	No.8,9 & 62 being assembled	
63	VAL-TKH120-063	TKH120-063	Top Insulator	1	●		
64	VAL-TKH080-064	TKH080-064	Combustion Gasket	1	●		
65	VAL-TKH080-065	TKH080-065	Burner Gasket	1	●		
66	VAL-TKH080-066	TKH080-066	Right Insulator	1	●		
67	VAL-TKH080-067	TKH080-067	Filter Packing	1	●		VAL-FIR-1-67
68	VAL-TKH080-068	TKH080-068	Remote Control	1	●	Not shown	VAL-FIR-1-68
	VAL-TKH080-071	TKH080-071	Front Door Pin	1	●		
72	VAL-TKH100-072	TKH100-072	Front Door	1	●		
73	VAL-TKH100-073	TKH100-073	Front Door Support	1	●		
74	VAL-TKH100-074	TKH100-074	Burner Divide Plate	1	●		