

# **SPARE PARTS LIST**

**f o r**

*Infrared oil heater*

*Model*

# **VAL6**

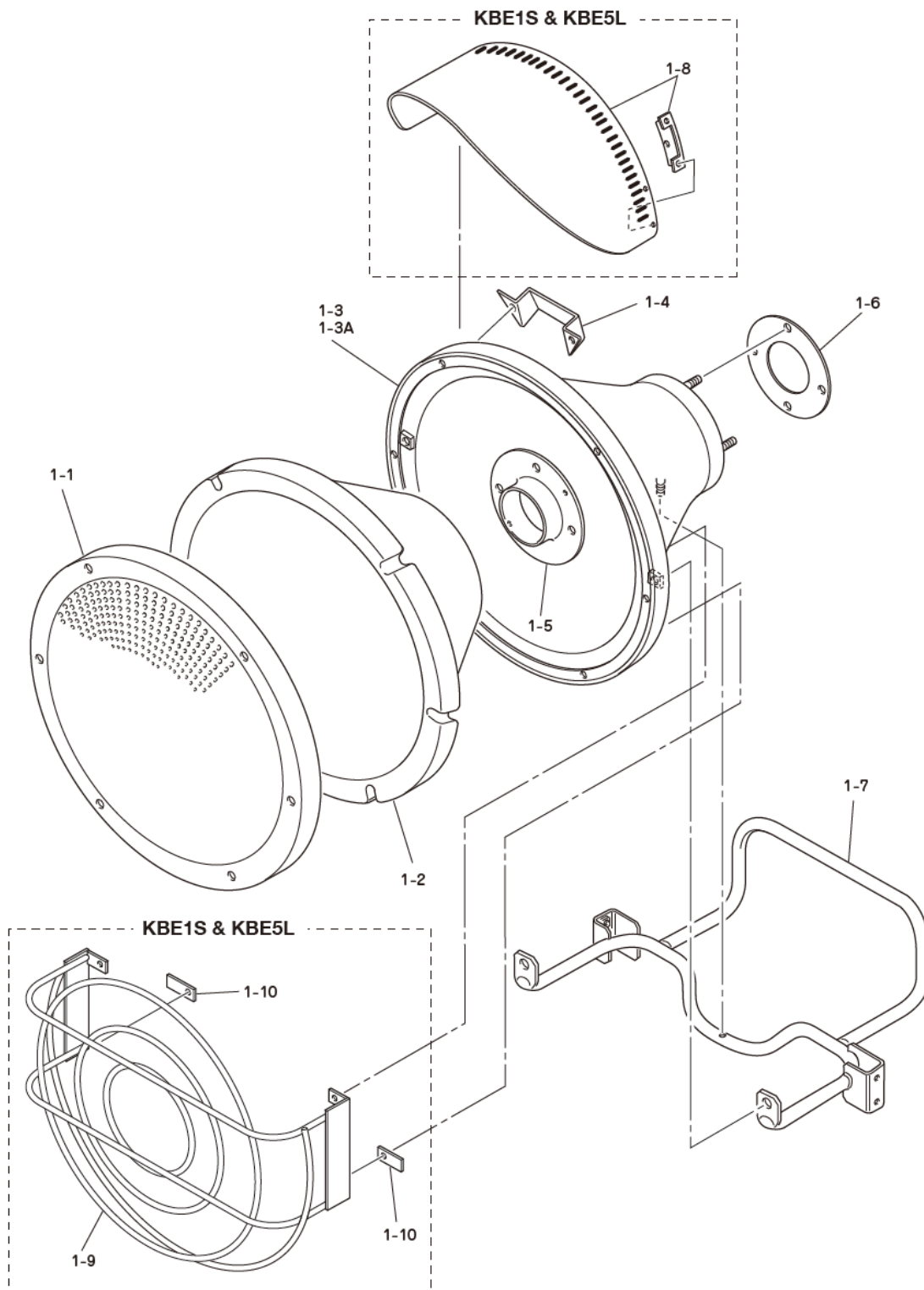
**Type**

- ◆ KBE5S for 120V 60Hz
- ◆ KBE5L for 120V 60Hz
- ◆ KBE5L 2-step for 120V 60Hz

March 2021

## ***Shizuoka Seiki Co., Ltd.***

\* PRICES AND SPECIFICATIONS ARE SUBJECT TO CHANGE WITHOUT NOTICE\*



**VAL6 KBE1S/5S/5L Radiation Section\_ Revised 2011**

# Shizuoka Seiki Co.,Ltd.

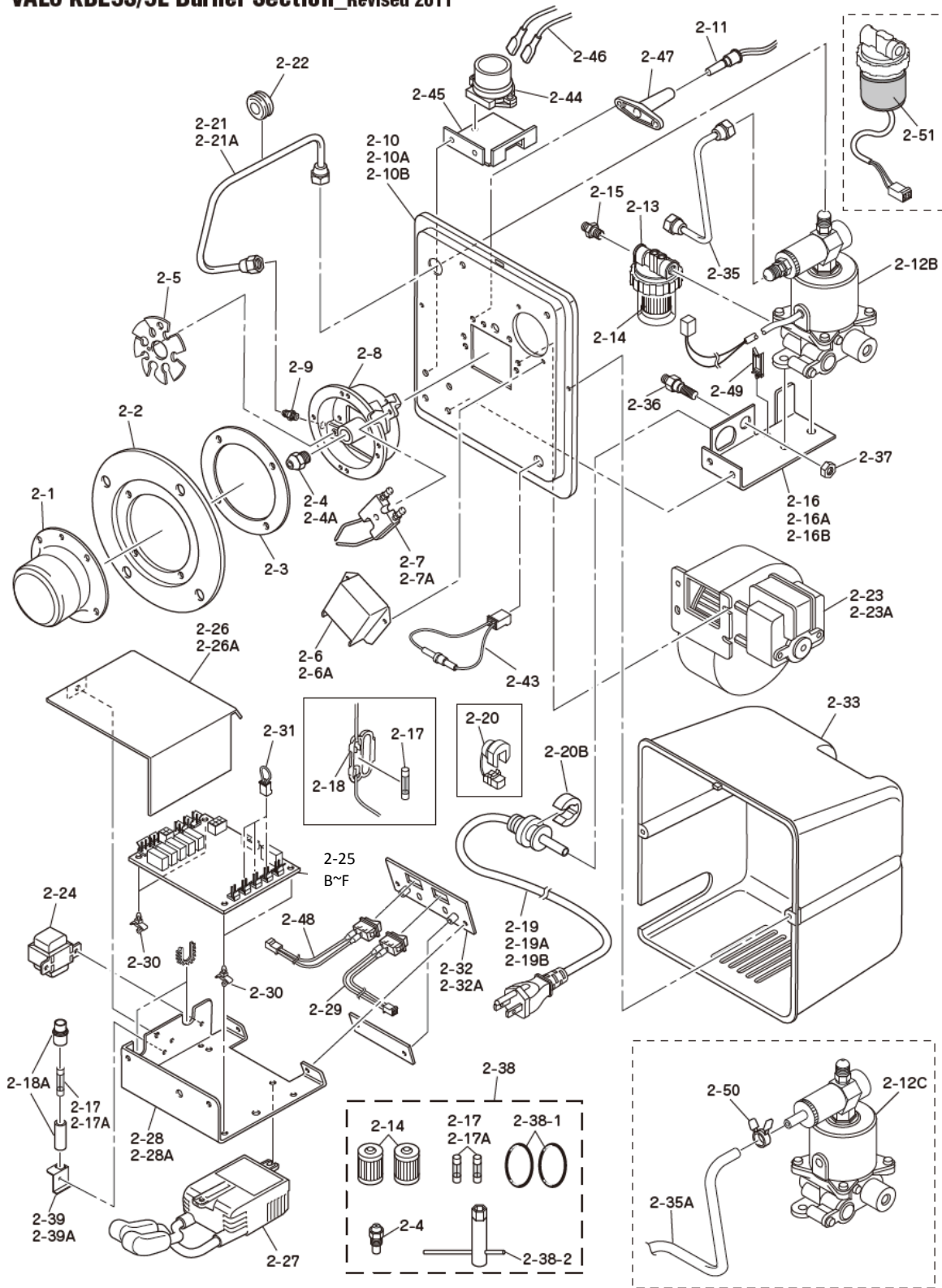
Revised: March 2021

□-mark means that the parts supply period is over and there are limited numbers of stock.

Part No.	PART NAME <RADIATION UNIT>	CODE NO.	JSO CODE	QTY /SET	KBE5S	KBE5L	KBE5L 2STEP	REMARKS
1-1	Radiation Disk	210220001-1	VAL-KSL-R-01	1	●	●	●	
1-2	Conical Insulator	50298203001	VAL-KSL-R-02	1	●	●	●	
1-3	Conical Housing	50298103003	VAL-KSL-R-03	1	N/A	N/A		5L: till 2005/2006, 5S: changed to 50300180001
		50300180001		1	●			include 1-4
1-3A		50330103004		1		N/A		Changed to 50330180001
		50330180001	VAL-KSL-R-03A	1		●	●	include 1-4
1-4	Caution Label Plate	50298203A05	VAL-KSL-R-04	1	●	●	●	with sticker (50300203002)
1-5	Burner Fitting Piece	210220001-5	VAL-KSL-R-05	1	●	●	●	
1-6	Burner Packing	50298201016	VAL-KSL-R-06	1	●	●	●	
1-7	Burner Support	50300103002	VAL-KSL-R-07	1	●	●	●	
1-8	Visor	50330103002	VAL-KSL-R-08	1		●	●	used in units from 06/07 fixed to No.1-3A including visor fitting piece
1-9	Protector Assembly	50330103003	VAL-KSL-R-09	1		●	●	used in units from 06/07, fixed to No.1-3A
1-10	Retainer Plate	50330203006	VAL-KSL-R-10	2		●	●	used in units from 06/07, fixed to No.1-3A

210254

# VAL6 KBE5S/5L Burner Section\_ Revised 2011



# Shizuoka Seiki Co.,Ltd.

Revised: March 2021

□-mark means that the parts supply period is over and there are limited numbers of stock.

Part No.	PART NAME <BURNER >	CODE NO.	JSO CODE	QTY /SET	KBE5S	KBE5L	KBE5L 2STEP	REMARKS
2-1	Burner Cone	50300201017	VAL-KSL-B-01	1	●	●	●	
2-2	Burner Flange	50300201008	VAL-KSL-B-02	1	●	●	●	
2-3	Diffuser Packing	50298201020	VAL-KSL-B-03	1	●	●	●	
2-4	Nozzle	50300201018	VAL-KSL-B-04	1	●	●		0.85G 60°
2-4A		50335201038	VAL-KSL-B-04A	1			●	0.75G60° from 2010/2011 F-04
2-5	Whirl Vane	50300201007	VAL-KSL-B-05	1	●	●	●	
2-6	Electrode Cover	50298201008	VAL-KSL-B-06	1	●	●		
2-6A		50330201009	VAL-KSL-B-06A	1			●	from 2010/2011 F-04
2-7		50262202010		1	□			till 2004/2005
2-7A	Electrode	50303201010	VAL-KSL-B-07A	1	●	●	●	from 2005/2006, upward compatible for 50262202010
2-8	Diffuser	50284202007	VAL-KSL-B-08	1	●	●	●	
2-9	Nozzle Nipple	50217202052	VAL-KSL-B-09	1	●	●	●	
2-10	Burner Base	50298201001		1	□			5S: till 2004/2005
2-10A		50303201012	VAL-KSL-B-10A	1	●	●		5S: from 2005/2006
2-10B		50330201006	VAL-KSL-B-10B	1			●	from 2010/2011 F-04
2-11	Flame Monitor Complete	50262102008	VAL-KSL-B-11	1	●	●	●	WITH 2-47 FLAME MONITOR HOLDER 5S/5L:till 2015
2-11A		50306101003	VAL-KSL-B-11A	1	●	(spare parts only)	●	W/O FLAME MONITOR HOLDER 5S/5L:from 2016 Z-01 (This flame monitor is available for 5S//5L produced from 2006 J-01.)
2-12	Fuel Pump without air vent valve	50300201A06		1	N/A			till 2005/2006
2-12A	Fuel Pump with air vent alve	50300201006		1	N/A			till 2005/2006 changed to 50330201003
2-12B	Fuel Pump with air vent valve	50330201003	VAL-KSL-B-12B	1	●	●		KBE5S: from 2006/2007
2-12C		50330201005	VAL-KSL-B-12C	1			●	from 2010/2011 F-04
2-13	Fuel Filter Complete	210210003-9	VAL-KSL-B-13	1	●	●	●	till 2004, from 2007 including 21021003-10
2-13A		50204201085		1	N/A	N/A	N/A	from 2004/2005 P-03 till 2006/02007
2-14	Filter Element	21021003-10	VAL-KSL-B-14	1	●	●	●	
2-14A		50204201082		1	N/A	N/A	N/A	from 2004/2005 P-03 till 2006/02007
2-15	Filter Nipple	22031001-43	VAL-KSL-B-15	1	●	●	●	
2-16	PUMP BRACKET	50300201003	VAL-KSL-B-16	1	□	□		till 2006/2007
2-16A		50300201034	VAL-KSL-B-16A	1	●	●		from 2007/2008
2-16B		50330201007	VAL-KSL-B-16B	1			●	from 2010/2011 F-04
2-17	Fuse (3a)	50204201061		1	□			till 2003/2004,Q-02
2-17A		50300201026	VAL-KSL-B-17A	1	●	●	●	from 2003/2004,Q-03
2-18	Fuse Holder	50217202034		1	□			till 2003/2004,Q-02
2-18A		50300201024	VAL-KSL-B-18A	1	●	●	●	from 2003/2004,Q-03
2-19		50300201019		1	N/A			till 2003/2004,Q-02
2-19A	Power Cable including plug	50300201027		1	N/A	N/A		from 2003/2004,Q-03 till 2004/2005
2-19B		503002A1027	VAL-KSL-B-19B	1	●	●	●	from 2006/2007, length 500mm include 2-20B 5S: till 2012/2013 D-05 5L: till 2012/2013 D-03
2-19C		50330201021	VAL-KSL-B-19C	1	●		●	with 2-20B 5S: from 2013/2014 C-01 5L: from 2012/2013 D-04

# Shizuoka Seiki Co.,Ltd.

Revised: March 2021

□-mark means that the parts supply period is over and there are limited numbers of stock.

Part No.	PART NAME < BURNER >	CODE NO.	JSO CODE	QTY /SET	KBES5	KBESL	KBESL 2STEP	REMARKS
2-20	Cable Stopper	502212A2028		1	□	□		till 2003/2004
2-20B		50205201017	VAL-KSL-B-20B	1	●	●	●	from 2006/2007
2-21	Fuel Outlet Line	50300201009	VAL-KSL-B-21	1	●	●		
2-21A		50330201012	VAL-KSL-B-21A	1			●	from 2010/2011 F-04
2-22	Pump Nozzle Grommet	21022003-25	VAL-KSL-B-22	1	●	●	●	
2-23	Fan Motor	50300201004	VAL-KSL-B-23	1	●	●		KBES5:till 2017/2018 Y-10
2-23A		50330201013	VAL-KSL-B-23A	1			●	from 2010/2011 F-04
		50300201042		1	●			from 2017/2018 Y-11
2-24	Step Down Transformer	50300201005	VAL-KSL-B-24	1	●	●	●	
2-25	Burner Control	50291201001		1	N/A			till 2004/2005 changed to 50321204005
2-25A		50321204003		1	N/A	N/A		from 2005/2006 changed to 50321204005
2-25B		50321204005	VAL-KSL-B-25B	1	●	●		from 2006/2007
2-25C		50300201032	VAL-KSL-B-25C	1	●			from 2006/2007 J-04, over voltage
2-25D		50308201009	VAL-KSL-B-25D	1			●	from 2010/2011 F-04
2-25E		50330201020	VAL-KSL-B-25E	1	●		●	till 2012/2013 D-03
2-25F		50330201026		1	●		●	5S: from 2013/2014 C-01 to 2016 5L: from 2012/2013 D-04 to 2016 from 2017 Y-01
2-26	Burner Control Cover	50298201019	VAL-KSL-B-26	1	●	●		
2-26A		50330201010	VAL-KSL-B-26A	1			●	from 2010/2011 F-04
2-27	Ignition Transformer	50298201006	VAL-KSL-B-27	1	●	●	●	till 2018
2-27A		50346202023		1	●		●	from 2018/2019 5L V-08~
2-28	Control Chassis	50300201001	VAL-KSL-B-28	1	●	●		from 2007/2008 I-01
2-28A		50330201008	VAL-KSL-B-28A	1			●	include 2-39 Fuse holder
2-29	Switch Assembly	50299104005	VAL-KSL-B-29	1	●	●	●	5S: till 2012/2013 D-05 5L: till 2012/2013 D-03
2-29A		50300101008	VAL-KSL-B-29A	1	●			from 2013/2014 C-01 with cord
2--29B	Operation Switch	50254204006	VAL-KSL-B-29B	1			●	from 2012/2013 D-04 without cord
2-30	Control Support	50229201037	VAL-KSL-B-30	4	●	●	●	
2-31	Short Circuit Cord	50249203047	VAL-KSL-B-31	3	●			5S: till 2004/05
				1	●	●		from 2005/2006
				0	N/A	N/A		5S&5L; from '06/07(I-01 lot) NO short circuit cord is needed
2-32	Face Plate	50300201002		1	N/A	N/A		till 2007 5S changed to 50300101006 5L changed to 50303101006
		50300101006	VAL-KSL-B-32A	1	●			from 2008 with face label, 3-LED
		50303101006	VAL-KSL-B-32	1		●		from 2008 with face label
		50330101006	VAL-KSL-B-32B	1			●	from 2010/2011 F-04
2-32A		50300101007	VAL-KSL-B-32C	1	●			from 2013/2014 C-01
2-33	Burner Cover	50300101005	VAL-KSL-B-33	1	●			from 2006/2007 black color
		50330101002	VAL-KSL-B-33V	1		●	●	from 2006/2007 black color
2-35	Return Line	50300201014	VAL-KSL-B-35	1	●	●		
2-35A		50330201016	VAL-KSL-B-35A	1			●	from 2010/2011 F-04
2-36	Return Line Nipple	50300201015	VAL-KSL-B-36	1	●	●	●	
2-37	Nipple Fitting Nut	21300503-58	VAL-KSL-B-37	1	●	●	●	

# Shizuoka Seiki Co.,Ltd.

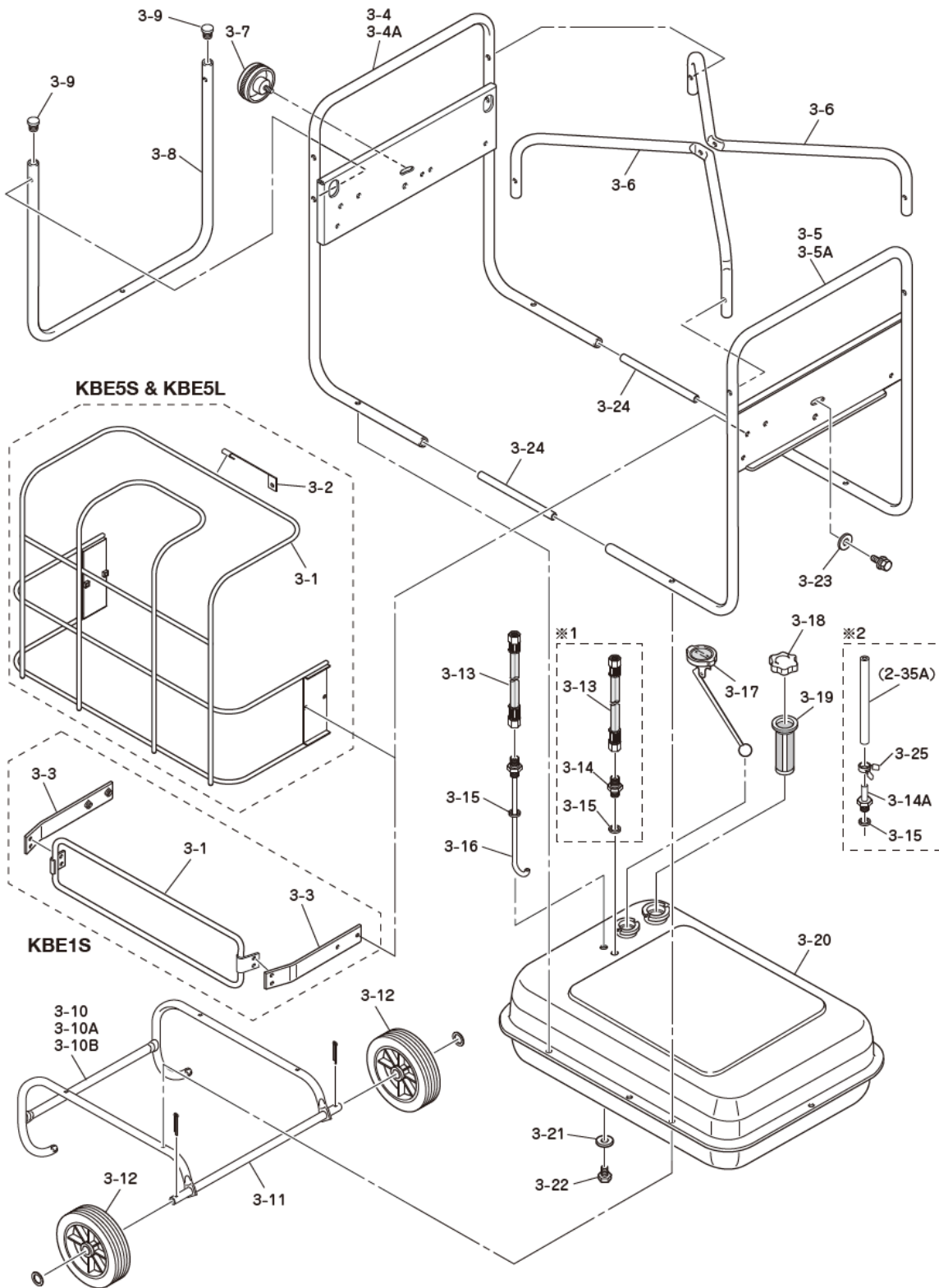
Revised: March 2021

□-mark means that the parts supply period is over and there are limited numbers of stock.

Part No.	PART NAME < BURNER >	CODE NO.	JSO CODE	QTY /SET	KBE5S	KBE5L	KBE5L 2STEP	REMARKS
2-38	Repair Set	50300103-83	VAL-KSL-B-38A	1	●	●		
		50330180003	VAL-KSL-B-38C	1			●	
2-38-1	O-ring	21021003-13	VAL-KSL-B-38B	1	●	●	●	
2-38-1A		50204201083		1	N/A	N/A		from 2004/2005 P-03 changed to 21021003-13
2-38-2	Nozzle Spanner	21022003-68	VAL-KSL-B-38-2	1	●	●	●	
2-39	Fuse Holder Bracket	50300201025	VAL-KSL-B-39	1	□	□		FROM 2003/2004, Q-03 In case of product before 2002/2003, M4x8FT truss screw is required. Discontinued from 2007/2008 I-01
2-39A		50330201014	VAL-KSL-B-39A	1			●	from 2010/2011 F-04
2-43	Thermostat Cable	50300201029	VAL-KSL-B-43	1	●	●	●	from 2005/2006 5S: till 2012/2013 D-05 5L: till 2012/2013 D-03
2-43A		50330201023	VAL-KSL-B-43A	1	●		●	5S: from 2013/2014 C-01 5L: from 2012/2013 D-04
2-44	Tip-over Switch	50298202015	VAL-KSL-B-44	1	●	●	●	
2-45	Tip-over Switch Bracket	50300201035	VAL-KSL-B-45	1	●	●	●	
2-46	Tip-over Switch Cord	50300201036	VAL-KSL-B-46	1	●	●	●	5S: till 2012/2013 D-05 5L: till 2012/2013 D-03
2-46A		50330201024	VAL-KSL-B-46A	1	●		●	5S: from 2013/2014 C-01 5L: from 2012/2013 D-04
2-47	Flame Monitor Holder	50262202029	VAL-KSL-B-47	1	●	●	●	
2-48	Change-over Switch	50299104006	VAL-KSL-B-48	1			●	from 2010/2011 F-04 with cord
2-48A		50254204007	VAL-KSL-B-48A	1			●	from 2012/2013 D-04 without cord
2-49	Wire Binding	50810201055	VAL-KSL-B-49	1			●	from 2010/2011 F-04
2-50	Hose Clamp	50319202016	VAL-KSL-B-50	1			●	from 2010/2011 F-04 (same as 3-25)
2-51	Strainer Heater Assembly (with body & ring)	50330101009	VAL-KSL-B-51	1			●	from 2010/2011 F-04, till D-03
2-51A※		50330101011	VAL-KSL-B-51A	1			●	from 2012/2013 D-04
2-52※	Operation & Change-over Switch Cord	50330201025	VAL-KSL-B-52	1			●	from 2012/2013 D-04 without switches

210254

Option	Strainer Heater (with ring)	50330180002	VAL-KSL-B-51W	1	●	●	●	5S: till D lot, 5L: till F-03, 5L 2- step: from F-04 till D-03
		50330180004	VAL-KSL-B-51AW	1	●		●	5S: from C lot, 5L 2-step: from D-04



**VAL6 KBE1S/5S/5L Tank Section\_ Revised 2011**



# Shizuoka Seiki Co.,Ltd.

Revised: March 2021

□-mark means that the parts supply period is over  
and there are limited numbers of stock.

Part No.	PART NAME < FUEL TANK >	CODE NO.	JSO CODE	QTY /SET	KBE5S	KBE5L	KBE5L 2STEP	REMARKS
3-1	Protector Assembly	50300102007	VAL-KSL-T-01	1	●	●		5L: used in units till 2005/2006
3-2	Protector Support	50300202007	VAL-KSL-T-02	1	●			
		50330202013	VAL-KSL-T-02V	1		N/A		used in units till 2005/2006
3-4	Frame (R)	50300102004	VAL-KSL-T-04	1	●			from 2007/2008 sharp edged pipe, no need for 3-24 pipe connection
		50330102004	VAL-KSL-T-04V	1		●		
3-4A		50330102009	VAL-KSL-T-04A	1		●	●	from 09/10 G-02 lot
3-5	Frame (L)	50300102005	VAL-KSL-T-05	1	●			from 2007/2008 sharp edged pipe, no need for 3-24 pipe connection
		50330102005	VAL-KSL-T-05V	1		●		
3-5A		50330102010	VAL-KSL-T-05A	1		●	●	from 09/10 G-02 lot
3-6	Frame Connection Pipe	50303202006	VAL-KSL-T-06	2	●			
		50330202007	VAL-KSL-T-06A	2		●	●	
3-7	Knob Bolt	50229202074	VAL-KSL-T-07	1	●	●	●	
3-8	Handle	50300202004	VAL-KSL-T-08	1	●			
		50330202008	VAL-KSL-T-08V	1		●	●	
3-9	Pipe End Cap	50298202013	VAL-KSL-T-09	2	●			
		50330202009	VAL-KSL-T-09V	2		●	●	
3-10	Tank Leg	50300102006	VAL-KSL-T-10	1	N/A			5S: till 2003/2004
3-10A		50300102011	VAL-KSL-T-10A	1	●			5S: from 2004/2005
3-10B		50330102006	VAL-KSL-T-10B	1		●	●	
3-11	Wheel Shaft	50300202008	VAL-KSL-T-11	1	●			
3-12	Wheel	50201204006	VAL-KSL-T-12	2	●	●	●	
3-13	Fuel Hose	50300202009	VAL-KSL-T-13	2	●	●		
				1			●	from 2010/2011 F-04
3-14	Return Nipple	50212205004	VAL-KSL-T-14	2	●	●		
3-14A	Flange Connection	50330202022	VAL-KSL-T-14A	1			●	from 2010/2011 F-04
3-15	Suction Packing	21650100207	VAL-KSL-T-15	2	●	●	●	
3-16	Suction Pipe Assembly	50300102008	VAL-KSL-T-16	1	●			including 3-14 & 3-15
		50330102007	VAL-KSL-T-16A	1		●	●	
3-17	Fuel Gauge	50300202018	VAL-KSL-T-17	1	●			till 2016/17
		50278102003	VAL-KSL-T-17V	1		●	●	till 2016/17 (Z lot)
		50302203002	VAL-KSL-T-17A	1	●			from 2017/18
		50298202019	VAL-KSL-T-17W	1			●	from 2017/18 Y-01~
3-18	Tank Cap	50221103003	VAL-KSL-T-18	1	N/A	N/A	N/A	till 2015/16(A lot)
		50335102008		1	●	●	●	from 2016 Z-01~
3-19	Tank Inlet Filter	220110002-8	VAL-KSL-T-19	1	□	□		5S&5L till 2007/08
3-20	Fuel Tank	50300102002		1	N/A			5S&5L: with 3-17, 3-18, 3-21 & 3-22 (Change to 50300102010 & 50330102011)
		50330102002		1		N/A	N/A	
		50300102010	VAL-KSL-T-20A	1	●			replacement for 50300102002
		50330102011	VAL-KSL-T-20V	1		●	●	replacement for 50330102002
3-21	Drain Packing	50231204021	VAL-KSL-T-21	1	●	●	●	M16
3-22	Drain Bolt	50231204020	VAL-KSL-T-22	1	●	●	●	M16
3-23	Gasket	213005002-9	VAL-KSL-T-23	1	●	●	●	M8
3-24	Pipe Connection	50300202025	VAL-KSL-T-24	2	N/A			004/2005 P-02, tinued from 2007/2008 I-01
		50330202016	VAL-KSL-T-24A	2		□		Discontinued from 2007/2008 I-01
3-25	Hose Clamp	50319202016	VAL-KSL-B-50	1			●	from 2010/2011 F-04 (same as 2-50)
210254								
Option	Shielding Mat(10Pieces Pack)	50300205001	VAL-MAT					
Option	Guard Fence	50300106001	VAL-FENCE					