

# **SPARE PARTS LIST**

**f o r**

*Infrared oil heater*

*Model*

# **VAL6**

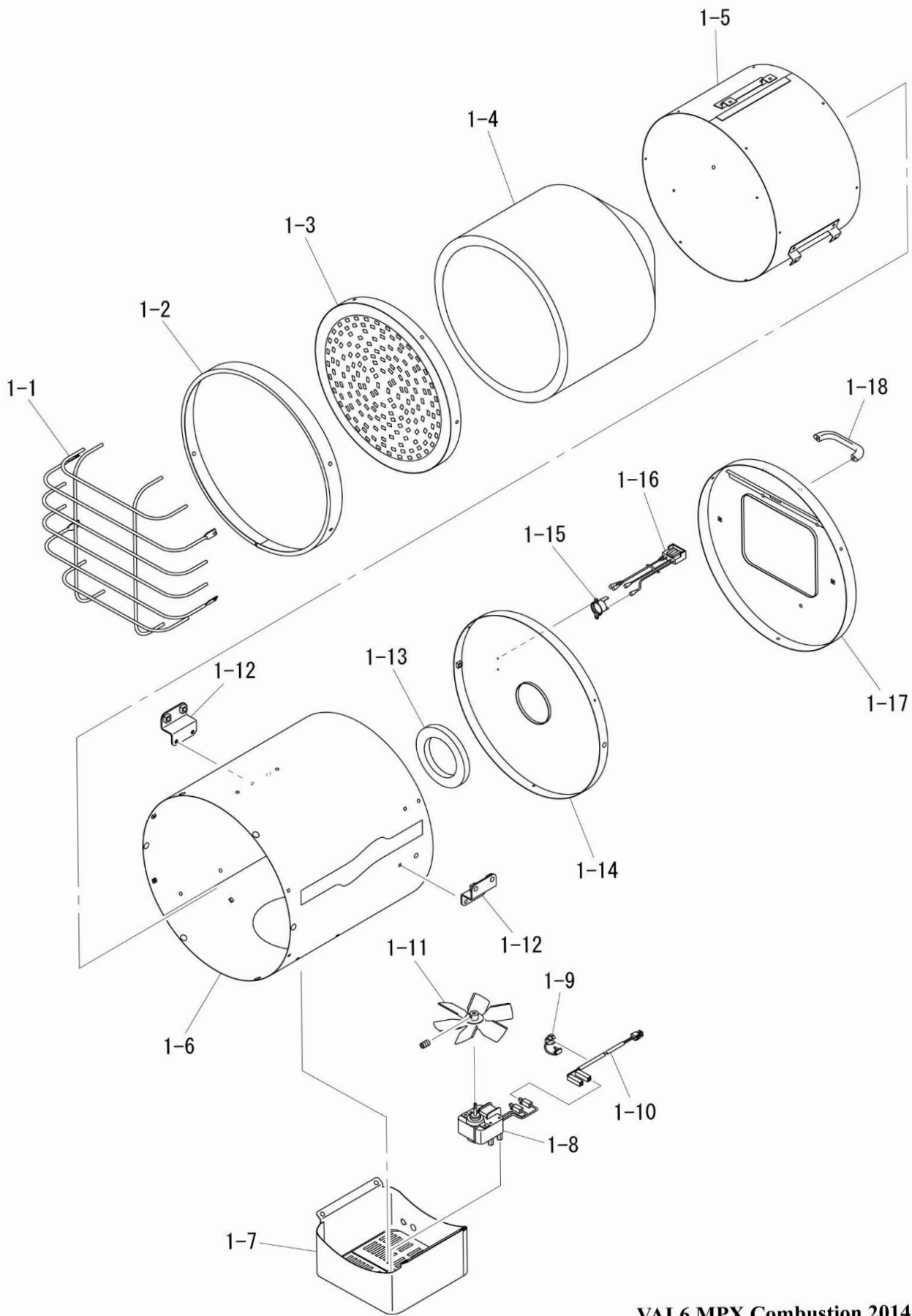
Type

◆ MPX5 for 120V 60Hz

March 2021

## ***Shizuoka Seiki Co., Ltd.***

\* PRICES AND SPECIFICATIONS ARE SUBJECT TO CHANGE WITHOUT NOTICE\*



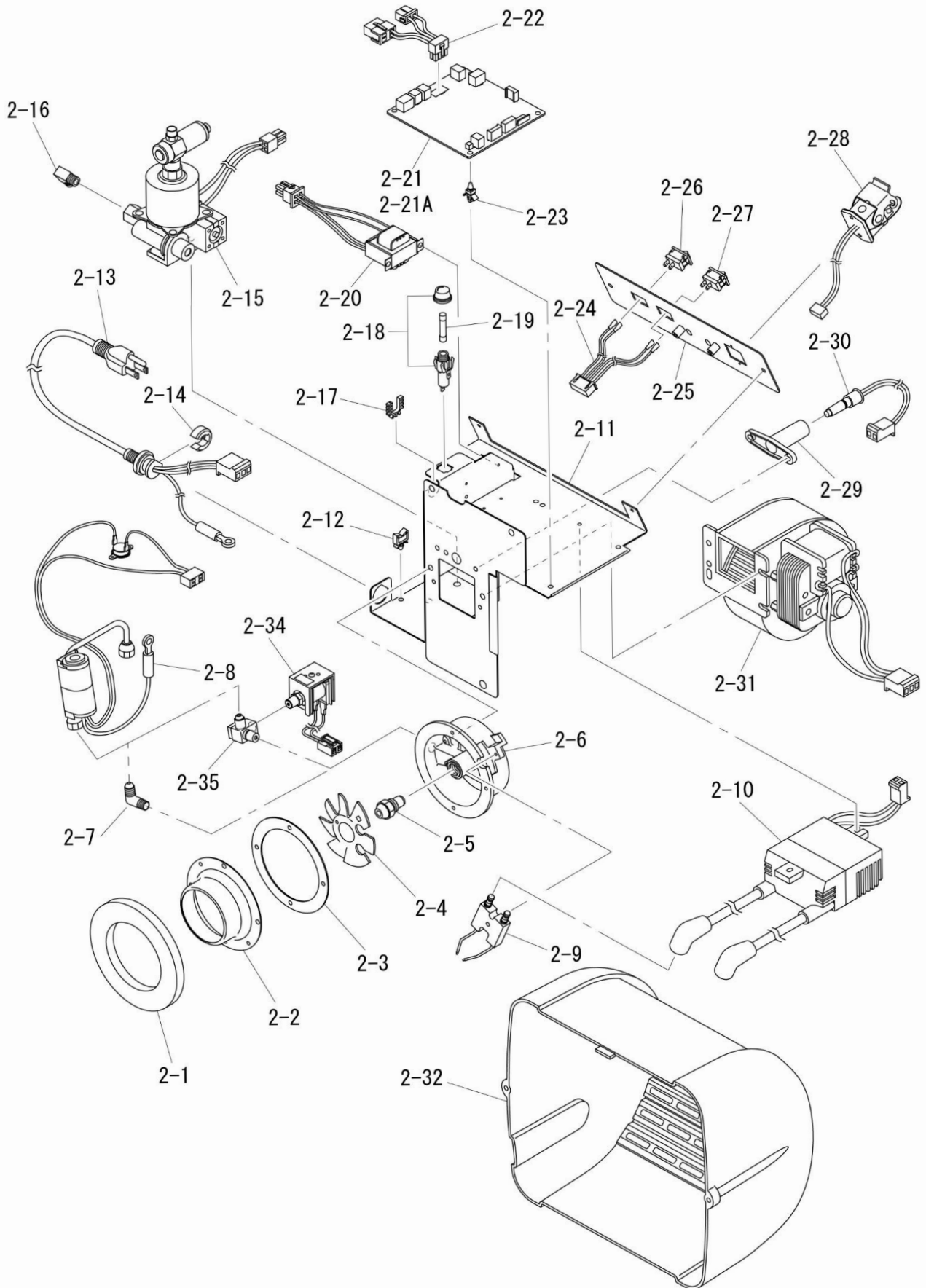
VAL6 MPX Combustion 2014

# Shizuoka Seiki Co., Ltd.

Revised: March 2021

Part No.	PART NAME < COMBUSTION >	CODE NO.	JSO NO	QTY /SET	MPX5	REMARKS
1-1	Protector Assembly	50346201012	VAL-MPX-1-01	1	●	
		50346201018		1	●	from 2018 V-01
1-2	Drum Front Ring	50346201008	VAL-MPX-1-02	1	●	
1-3	Radiation Disk	50346201001	VAL-MPX-1-03	1	●	
1-4	Inner Cylinder	50346201002	VAL-MPX-1-04	1	●	
1-5	Outer Cylinder	50346101006	VAL-MPX-1-05	1	●	
1-6	Drum	50346201006	VAL-MPX-1-06	1	N/A	changed to 50346 180001
		50346180001		1	●	
1-7	Drum Base	50346101005	VAL-MPX-1-07	1	●	
1-8	Blower Motor	50317201010	VAL-DS-R-16A	1	●	
1-9	Motor Cord Stopper	50320202018	VAL-DS-R-19	1	●	
1-10	Relay Cable	50317203019	VAL-DS-R-17A	1	●	
1-11	Blower Fan	50310201020	VAL-DS-R-15	1	●	
1-12	Drum Bracket	50346201009	VAL-MPX-1-12	2	●	
1-13	Burner Draft Packing	50317201013	VAL-DS-R-11B	1	●	
1-14	Insulator	50346201005	VAL-MPX-1-14	1	●	
1-15	Overheat Protection	50255202018	VAL-MPX-1-15	1	●	
1-16	Relay For Overheat/Tip-Over	50346201013	VAL-MPX-1-16	1	●	
1-17	Drum End	50346201007	VAL-MPX-1-17	1	N/A	till 2012, replace with 50346 101008
		50346101008	VAL-MPX-1-17A	1	●	from 2013 C-01
1-18	Grip	50509201027	VAL-MPX-1-18	1	●	

210245

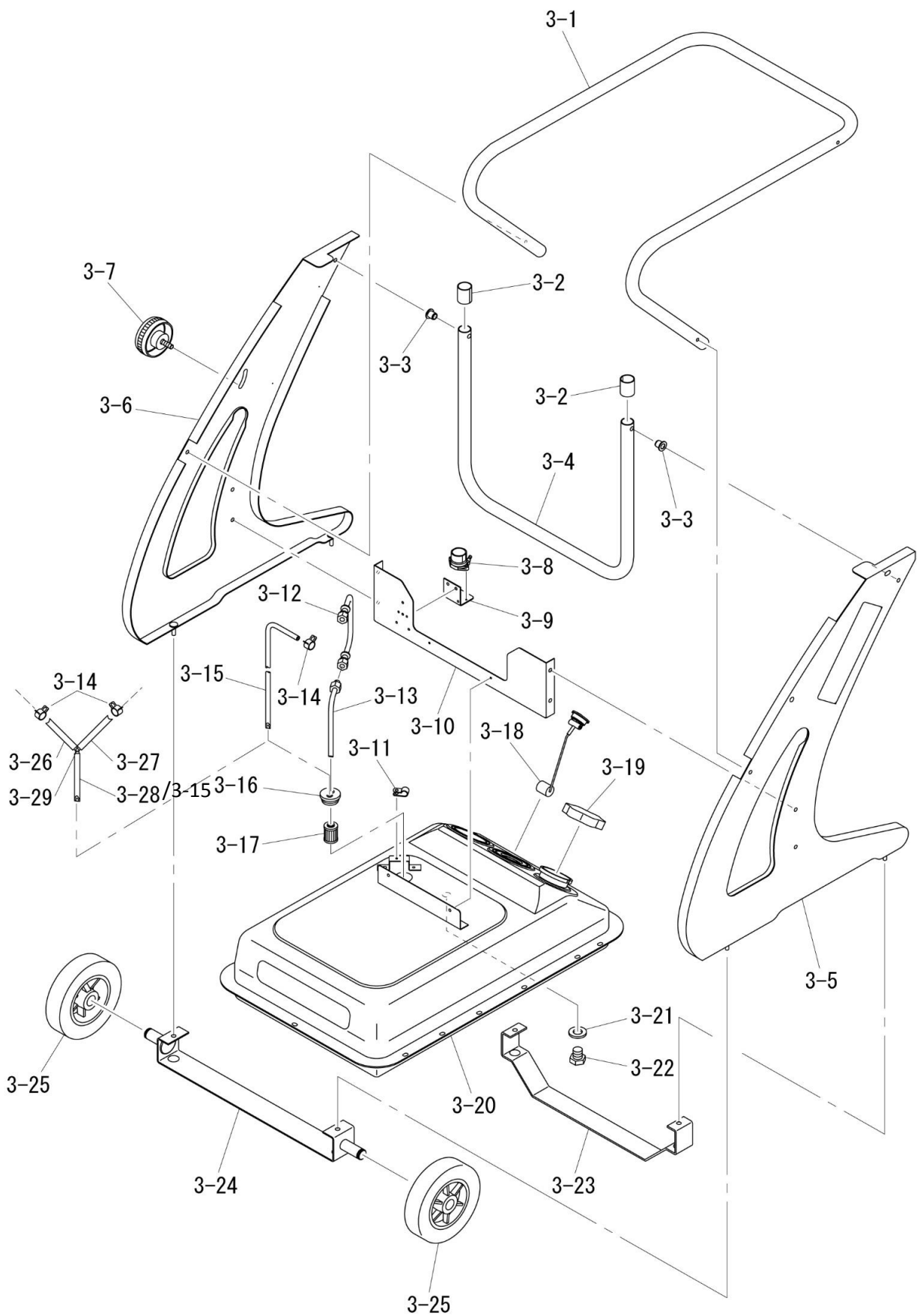


**VAL6 MPX Burner 2014**

Part No.	PART NAME < BURNER >	CODE NO.	JSO NO	QTY /SET	MPX5	REMARKS
2-1	Burner Packing	50319202028	VAL-DS-B-10C	1	●	
2-2	Burner Cone	50300201017	VAL-KSL-B-01	1	●	
2-3	Diffuser Packing	50298201020	VAL-KSL-B-03	1	●	
2-4	Whirl Vane	50319202027	VAL-DS-B-06A	1	●	
2-5	Nozzle	50319202013	VAL-DS-B-05A	1	●	
2-6	Diffuser	50262202001	VAL-DS-B-03	1	●	
2-7	Pump Nipple	50204201025	VAL-DS-B-04	1	●	till 2012, change to 2-35 from 2013
2-8	Fuel Outlet Line with preheater	50346102007	VAL-MPX-2-08	1	●	
2-9	Electrode	50319202017	VAL-DS-B-07B	1	●	
2-10	Ignition Transformer	50317202016	VAL-DS-B-21A	1	●	till 2018
		50346202023		1	●	from 2019
2-11	Burner Base	50346102002	VAL-MPX-2-11	1	●	
2-12	Cord Clip	50310201025	VAL-DS-R-14	1	●	
2-13	Power Cable with cable stopper	50346202009	VAL-MPX-2-13	1	●	with 2-14 (50205 201019)
2-14	Cable Stopper	50205201019	VAL-MPX-2-14	1	●	
2-15	Fuel Pump with air vent valve	50346202005	VAL-MPX-2-15	1	●	
2-16	Hose Nipple	50304202030	VAL-MPX-2-16	1	●	
2-17	Grommet	50263202010	VAL-DS-B-02	1	N/A	till 2012, replace with 50346 202018
		50346202018		1	●	from 2013 C-01
2-18	Fuse Holder	50300201024	VAL-KSL-B-18A	1	●	
2-19	Fuse (3A)	50300201026	VAL-KSL-B-17A	1	●	
2-20	Step Down Transformer	50346202008	VAL-DS-B-15A	1	●	
2-21	Burner Control	50330201020	VAL-KSL-B-25E	1	●	till 2012
2-21A		50346202019	VAL-MPX-2-21A	1	●	from 2013 C-01
2-22	Relay For Fan/Preheater	50346202017	VAL-MPX-2-22	1	●	
2-23	Control Support	50229201037	VAL-MPX-2-23	4	●	
2-24	Switch Cable	50346202010	VAL-MPX-2-24	1	●	
2-25	Face Plate	50346102006	VAL-MPX-2-25	1	●	
2-26	Change-Over Switch	50254204007	VAL-KSL-B-48A	1	●	
2-27	Operation Switch	50254204006	VAL-KSL-B-29B	1	●	
2-28	External Thermostat Connector	50346102009	VAL-MPX-2-28	1	●	
2-29	Flame Monitor Holder	50262202029	VAL-KSL-B-47	1	●	
2-30	Flame Monitor Complete	50335101009	VAL-EPX-2-22	1	●	w/o flame holder
2-31	Fan Motor	50346202007	VAL-MPX-2-31	1	●	till 2017/2018
		50346202022		1	●	from 2018 V-01
2-32	Burner Cover	50346102004		1	N/A	till 2013, replace with 50348 102003
		50348102003	VAL-MPX-2-32	1	●	
2-33	Repair Set	50346100001	VAL-MPX-2-33	1	●	50201 203056 Nozzle wrench *1 50319 202013 Nozzle *1 50317 203004 Filter element *1
2-34	Solenoid Valve	50346202020	VAL-DS-B-35	1	●	from 2013 C-01
2-35	Three-Way Joint	50347202018	VAL-DS-B-36	1	●	from 2013 C-01
*option	Shortplug	50306204001	VAL-MPX-2-36	1	●	from 2014 B-01

※not shown in drawing

200454



**VAL6 MPX Fuel tank 2014**

Part No.	PART NAME < FUEL TANK >	CODE NO.	JSO NO	QTY /SET	MPX5	REMARKS
3-1	Frame	50346203005	VAL-MPX-3-1	1	●	
3-2	Protective Packing	50346203013	VAL-MPX-3-2	2	●	
3-3	Spacer	50346200002	VAL-MPX-3-3	2	●	
3-4	Handle	50346103009	VAL-MPX-3-4	1	●	with 3-2 (50346203013)
3-5	Side Panel(L)	50346103007	VAL-MPX-3-5	1	●	
3-6	Side Panel(R)	50346103008	VAL-MPX-3-6	1	●	
3-7	Knob Bolt	50229202074	VAL-KSL-T-07	1	●	
3-8	Tip-Over Switch	50298202015	VAL-KSL-B-44	1	●	
3-9	Tip-Over Switch Bracket	50346203009	VAL-MPX-3-9	1	●	
3-10	Reinforcing Base	50346203001	VAL-MPX-3-10	1	●	
3-11	Power Cable Band	50320201038	VAL-MPX-3-11	1	●	
3-12	Fuel Hose	50254201006	VAL-MPX-3-12	1	●	
3-13	Suction Pipe	50268103004	VAL-MPX-3-13	1	●	
3-14	Hose Clamp	50319202016	VAL-MPX-3-14	1	●	till 2012
			VAL-KSL-B-50	2	●	from 2013 C-01
3-15	Return Line	50346203010	VAL-MPX-3-15	1	●	change to 3-26, 3-27, 3-28 from 2013 / from 2015 A-01, used in replace of 3-28
3-16	Suction Return Packing	50317203013	VAL-DS-T-05A	1	●	
3-17	Filter Element	50317203004	VAL-DS-T-06	1	●	
3-18	Fuel Gauge	50268203006	VAL-MPX-3-18	1	●	
3-19	Tank Cap	50335102008	VAL-KSL-T-18	1	●	
3-20	Fuel Tank	50346103003	VAL-MPX-3-20	1	N/A	replace with 50346180002
		50346180002	VAL-MPX-3-20A	1	●	with 3-18, 3-19, 3-21, 3-22
3-21	Drain Packing	50231204021	VAL-KSL-T-21	1	●	
3-22	Drain Bolt	50231204020	VAL-KSL-T-22	1	●	with 3-21
3-23	Tank Leg	50346203002	VAL-MPX-3-23	1	●	
3-24	Axle Assembly	50346103005	VAL-MPX-3-24	1	●	
3-25	Wheel	50250203001	VAL-MPX-3-25	2	●	
3-26	Return Line (A)	50346203017	VAL-DS-T-11	1	●	from 2013 C-01
3-27	Return Line (B)	50346203018	VAL-DS-T-12	1	●	from 2013 C-01
3-28	RETURN LINE (C)	50346203019	VAL-MPX-3-28	1	N/A	used from 2013 C-01 till 2014 / from 2015 A-01, change to 3-15 Return line
3-29	Y-SHAPED HOSE JOINT	50346203020	VAL-DS-T-13	1	●	from 2013 C-01
3-30*	CONVOLUTED HOSE	50347200004	VAL-MPX-3-30	1	●	from 2015 A-01

\*Not shown in drawing

200254