

SPARE PARTS LIST

f o r

Far infrared heater

Type

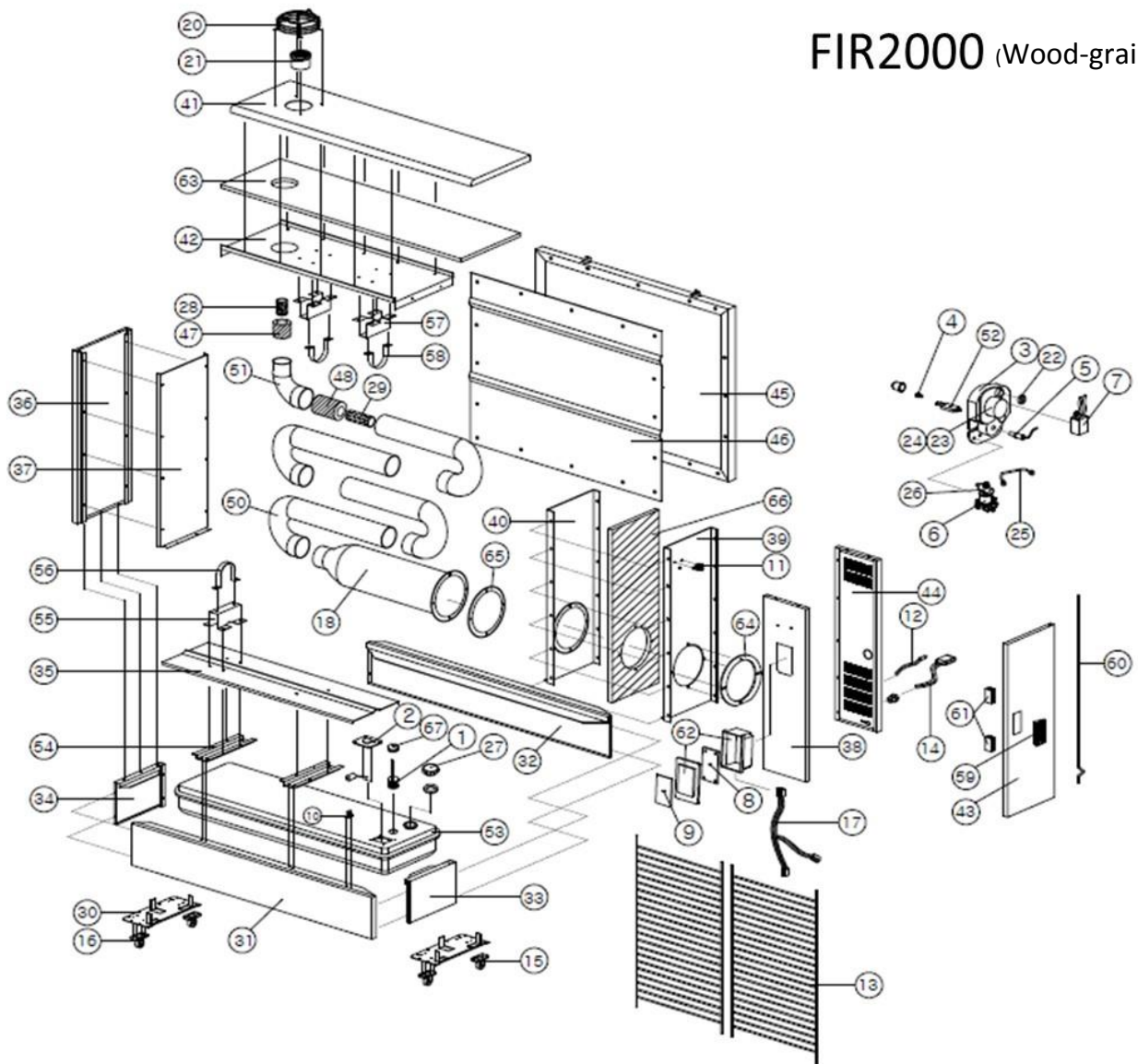
- ◆ **FIR2000 Wood-grain for 120V**
- ◆ **FIR2000 Silver for 120V**
 - ◆ **FIR-X1 for 120V**
 - ◆ **FIR1300 for 120V**

July, 2019

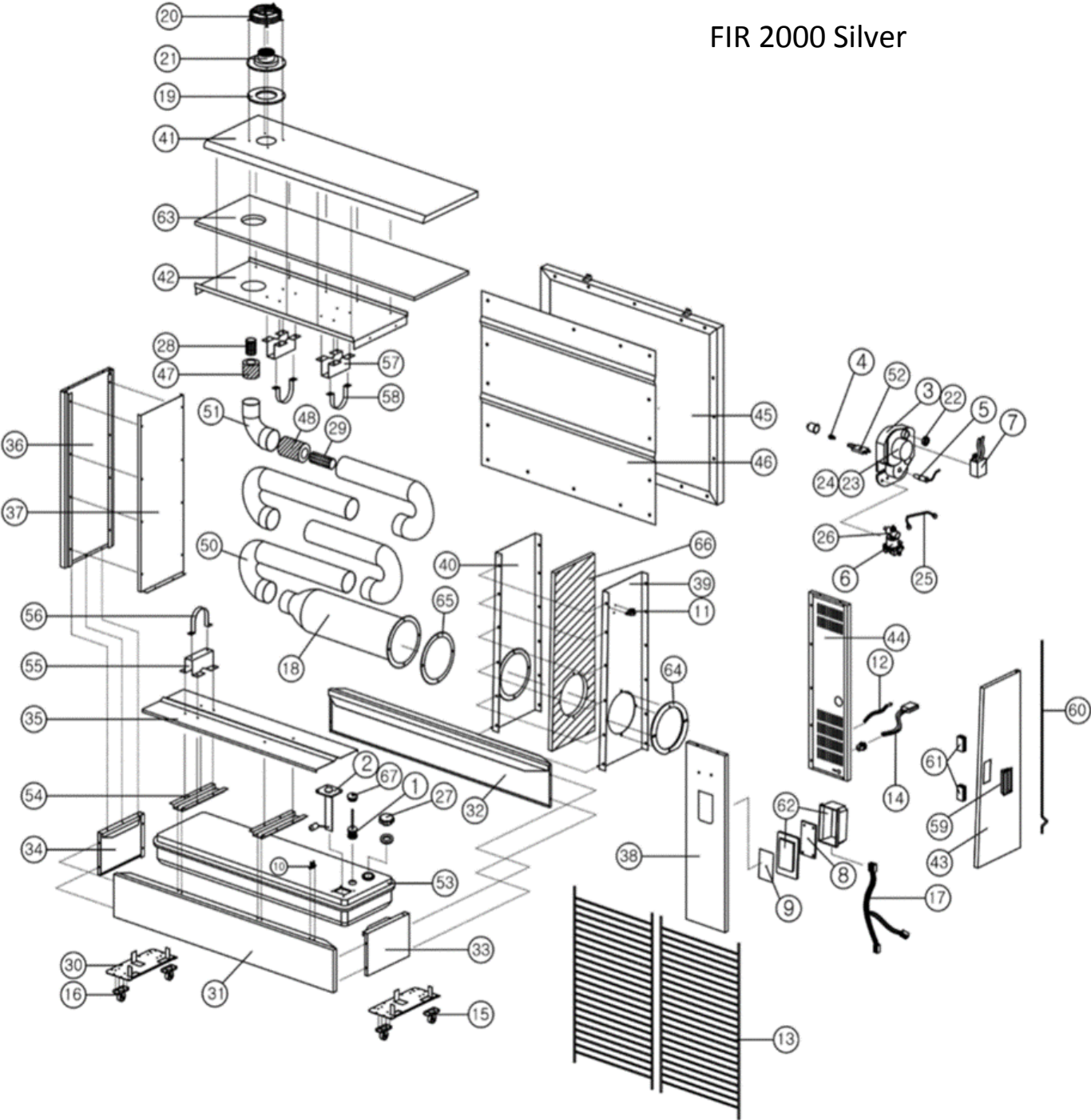
Shizuoka Seiki Co.,Ltd.

*** PRICES AND SPECIFICATIONS ARE SUBJECT TO CHANGE WITHOUT NOTICE***

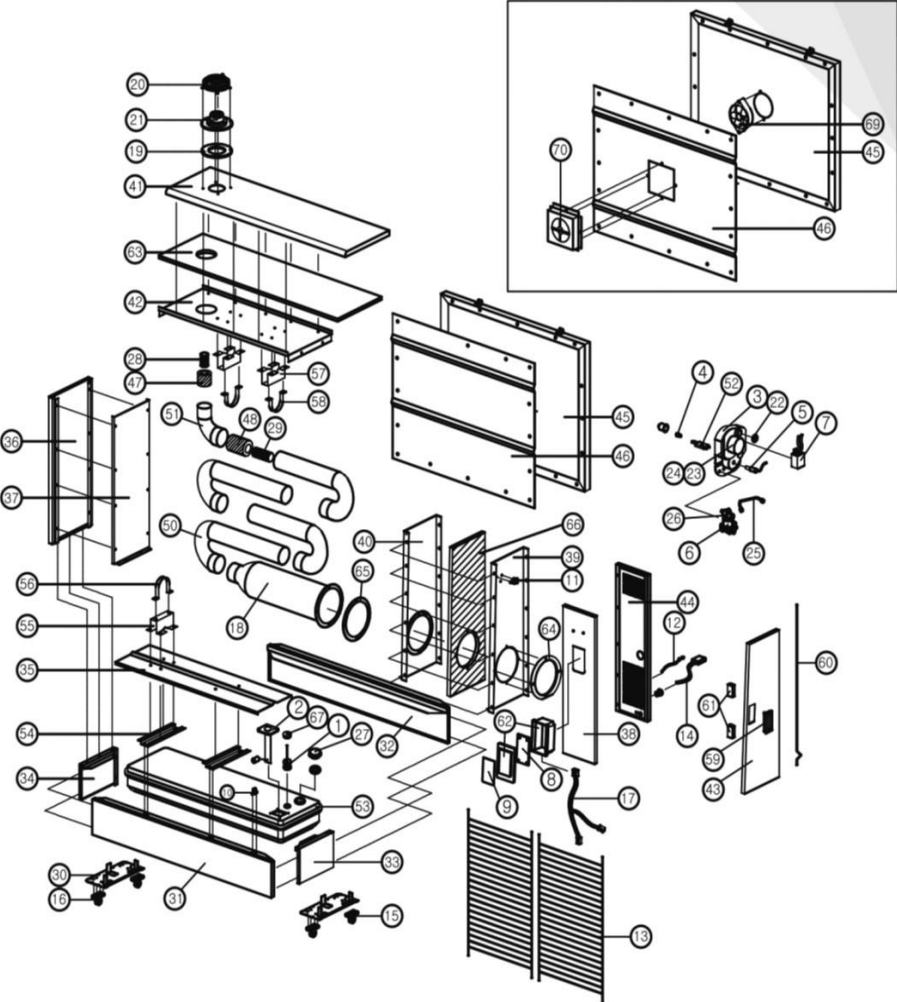
FIR2000 (Wood-grain)



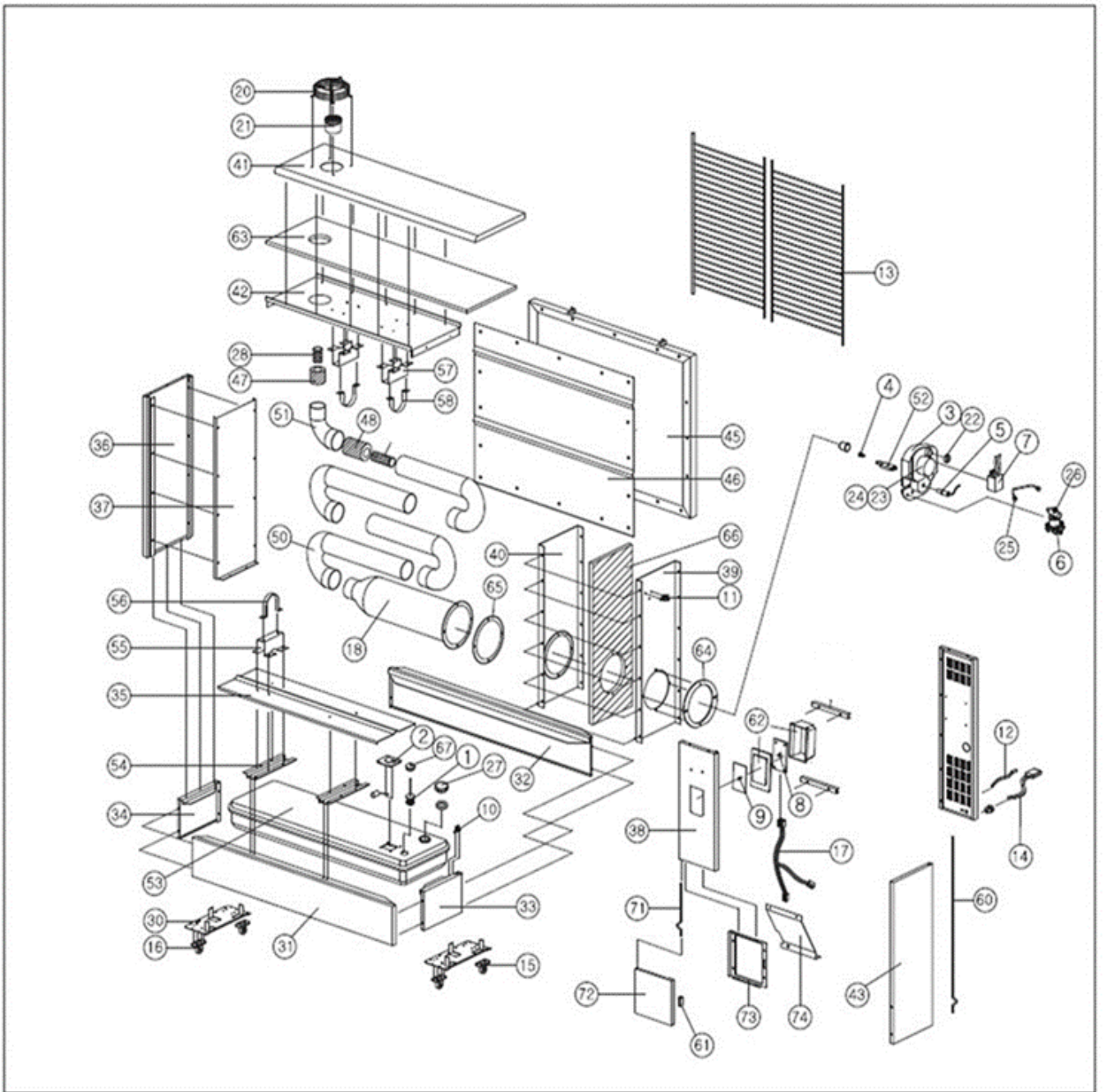
FIR 2000 Silver



FIR-X1



•FIR-1300



No.	Part cord number				Part name	FIR2000		FIR-X1	FIR-1300	Remarks
	FIR2000 (wood-grain)	FIR2000 (silver)	FIR-X1	FIR1300		(wood-grain)	(silver)			
	Qty.									
1	VAL-FIR-1-01				Filter	1	1	1	1	
-----	VAL-FIR-1-SS1				Filter only	1	1	1	1	Not shown
2	VAL-FIR-1-02				Fuel Gauge	1	1	1	1	
3	VAL-FIR-1-03		VAL-TKH250-003	VAL-TKH121-003	Burner	1	1	1	1	
4	VAL-FIR-1-04		VAL-TKH250-004	VAL-TKH121-004	Nozzle	1	1	1	1	
5	VAL-FIR-1-05				Photocell	1	1	1	1	
6	VAL-FIR-1-06		VAL-TKH250-006	VAL-TKH121-006	Pump	1	1	1	1	
7	VAL-FIR-1-07				Ignitor	1	1	1	1	
8	VAL-TKH080-008(SS) till 2016 model	VAL-FIR-1-08		VAL-TKH080-008(SS)	P.C.B	1	1	1	1	#8 & 9 & 62 being assembled
9	VAL-FIR-1-09	VAL-TKH100-009(SS)		VAL-TKH080-009	Name Plate	1	1	1	1	
10	VAL-FIR-1-10				Tip Over Switch	1	1	1	1	
11	VAL-FIR-1-11				Thermostat	1	1	1	1	
12	VAL-FIR-1-12		VAL-TKH080-012	VAL-TKH080-012(SS)	Thermistor	1	1	1	1	
13	VAL-FIR-1-13		VAL-TKH250-013	VAL-TKH121-013	Front Safety Wire	1	1	1	1	
14	VAL-FIR-1-14				Power code	1	1	1	1	
15	VAL-FIR-1-15		VAL-TKH250-015	VAL-TKH080-015	Caster (R/B)	2	2	2	2	
16	VAL-FIR-1-16		VAL-TKH250-016	VAL-TKH080-016	Caster (R)	2	2	2	2	
17	VAL-FIR-1-17		VAL-TKH190-017	VAL-TKH080-017	Read Wire	1	1	1	1	
18	VAL-FIR-1-18		VAL-TKH250-018	VAL-TKH121-018	Combustion	1	1	1	1	
19	N/A	VAL-TKH080-019		N/A	Airoutlet Gasket	N/A	1	1	N/A	
20	VAL-FIR-1-20				Exhaust Safety Wire	1	1	1	1	
21	VAL-FIR-1-21				Exhaust Cap	1	1	1	1	
22	VAL-FIR-1-22		VAL-TKH190-022	VAL-TKH080-022	Airoutlet	1	1	1	1	
23	VAL-FIR-1-23			VAL-TKH080-023	Fan	1	1	1	1	
24	VAL-FIR-1-24		VAL-TKH250-024	VAL-TKH080-024	Motor	1	1	1	1	
25	VAL-FIR-1-25				Oil Pipe	4	4	4	4	
26	VAL-FIR-1-26				Solenoid Valve	1	1	1	1	
27	VAL-FIR-1-27				Fuel Cap	1	1	1	1	
28	VAL-FIR-1-28				Silencer Pipe(S)	1	1	2	2	FIR2000* 1 pc
29	VAL-FIR-1-29	N/A			Silencer Pipe(L)	1	1	N/A	N/A	
30	VAL-FIR-1-30		VAL-TKH250-030	VAL-TKH080-030	Caster B/K	2	2	2	2	
31	VAL-TKH160-031 (W)	VAL-FIR-1-31	VAL-TKH250-031	VAL-TKH120-031	Front Base	N/A	1	1	1	available on request at production *No.31-No.42 and No.44-No.46: rivet assembly
32	VAL-TKH160-032 (W)	VAL-FIR-1-32	VAL-TKH250-032	VAL-TKH120-032	Rear Base	N/A	1	1	1	
33	VAL-TKH080-033 (W)	VAL-FIR-1-33	VAL-TKH250-033	VAL-TKH080-033	Right Base	N/A	1	1	1	
34	VAL-TKH080-034 (W)	VAL-FIR-1-34	VAL-TKH250-034	VAL-TKH080-034	Left Base	N/A	1	1	1	
35	VAL-TKH160-035 (W)	VAL-FIR-1-35	VAL-TKH250-035	VAL-TKH120-035	Bottom Reflector	N/A	1	1	1	
36	VAL-TKH180-036 (W)	VAL-FIR-1-36	VAL-TKH250-036	VAL-TKH080-036	Left Cover	N/A	1	1	1	
37	VAL-TKH180-037 (W)	VAL-FIR-1-37	VAL-TKH250-037	VAL-TKH080-037	Left Reflector	N/A	1	1	1	
38	VAL-TKH180-038 (W)	VAL-FIR-1-38	VAL-TKH250-038	VAL-TKH120-038	Cont. Front Cover	N/A	1	1	1	
39	VAL-TKH180-039 (W)	VAL-FIR-1-39	VAL-TKH250-039	VAL-TKH080-039	Burner Cover	N/A	1	1	1	
40	VAL-TKH180-040 (W)	VAL-FIR-1-40	VAL-TKH250-040	VAL-TKH080-040	Right Reflector	N/A	1	1	1	
41	VAL-TKH180-041 (W)	VAL-FIR-1-41	VAL-TKH250-041	VAL-TKH120-041	Top Cover	N/A	1	1	1	
42	VAL-TKH180-042 (W)	VAL-FIR-1-42	VAL-TKH250-042	VAL-TKH120-042	Top Reflector	N/A	1	1	1	
43	VAL-TKH180-043 (W)	VAL-FIR-1-43	VAL-TKH250-043	VAL-TKH080-043	Door	N/A	1	1	1	
44	VAL-TKH180-044 (W)	VAL-FIR-1-44	VAL-TKH250-044	N/A	Cont. Rear Cover	N/A	1	1	1	
45	VAL-TKH180-045 (W)	VAL-FIR-1-45	VAL-TKH250-045	VAL-TKH120-045	Rear Cover	N/A	1	1	1	
46	VAL-TKH180-046 (W)	VAL-FIR-1-46	VAL-TKH250-046	VAL-TKH120-046	Rear Reflector	N/A	1	1	1	

No.	Part cord number				Part name	FIR2000		FIR-X1	FIR-1300	Remarks
	FIR2000 (wood-grain)	FIR2000 (silver)	FIR-X1	FIR1300		(wood-grain)	(silver)			
	US\$(EXW)									
47	VAL-FIR-1-47				Silencer Wool(S)	2	2	2	2	
48	TKH120-048		N/A	VAL-TKH120-048	Silencer Wool(L)	1	1	N/A	1	
49	N/A				Combustion Tube-L	N/A	N/A	N/A	N/A	
50	VAL-FIR-1-50			VAL-TKH120-050	Tube J	3	3	3	3	
51	VAL-TKH160-050	VAL-FIR-1-51	VAL-TKH250-050 or VAL-TKH120-051 (manual)	VAL-TKH120-051	Tube- L	1	1	1	1	
52	VAL-FIR-1-52				Spark plug	1	1	1	1	
53	VAL-FIR-1-53			VAL-TKH120-053	Tank	1	1	1	1	
54	VAL-FIR-1-54				Tank Support B/K	2	2	2	2	
55	VAL-FIR-1-55				Combustion Support	1	1	1	1	
56	VAL-FIR-1-56				Combustion Bend	1	1	1	1	
57	VAL-FIR-1-57				Tube Support-B	2	2	2	2	
58	VAL-FIR-1-58				Tube Bend	2	2	2	2	
59	VAL-FIR-1-59			N/A	Handle	1	1	1	N/A	
60	VAL-FIR-1-60			VAL-TKH080-060	Door Pin	1	1	1	1	
61	VAL-FIR-1-61				Magnet	2	2	2	2	
62	VAL-FIR-1-62				Control Box	1	1	1	1	#8 & 9 & 62 being assembled
63	VAL-FIR-1-63	VAL-TKH250-063	VAL-TKH120-063	Top Insulator	1	1	1	1		
64	VAL-FIR-1-64				Combustion Gasket	1	1	1	1	
65	VAL-FIR-1-65				Burner Gasket	1	1	1	1	
66	VAL-TKH250-066			VAL-TKH080-066	Right Insulator	1	1	1	1	
67	VAL-FIR-1-67				Filter Packing	1	1	1	1	
68	VAL-FIR-1-68				Remote Control	1	1	1	1	Not shown
69	N/A	VAL-TKH250-069	N/A	Fix Plate	N/A	N/A	1	N/A		
70	N/A	VAL-TKH250-070	N/A	Top Cover Support	N/A	N/A	1	N/A		
71	N/A	VAL-TKH250-071	---	Base Bracket	N/A	N/A	1	N/A		
		---	VAL-TKH080-071	Front Door Pin	N/A	N/A	N/A	1		
72	N/A			VAL-TKH100-072	Front Door	N/A	N/A	N/A	1	
73	N/A			VAL-TKH100-073	Front Door Support	N/A	N/A	N/A	1	
74	N/A			VAL-TKH100-074	Burner Divide Plate	N/A	N/A	N/A	1	