

SPARE PARTS LIST

f o r

Infrared oil heater

Model

VAL6

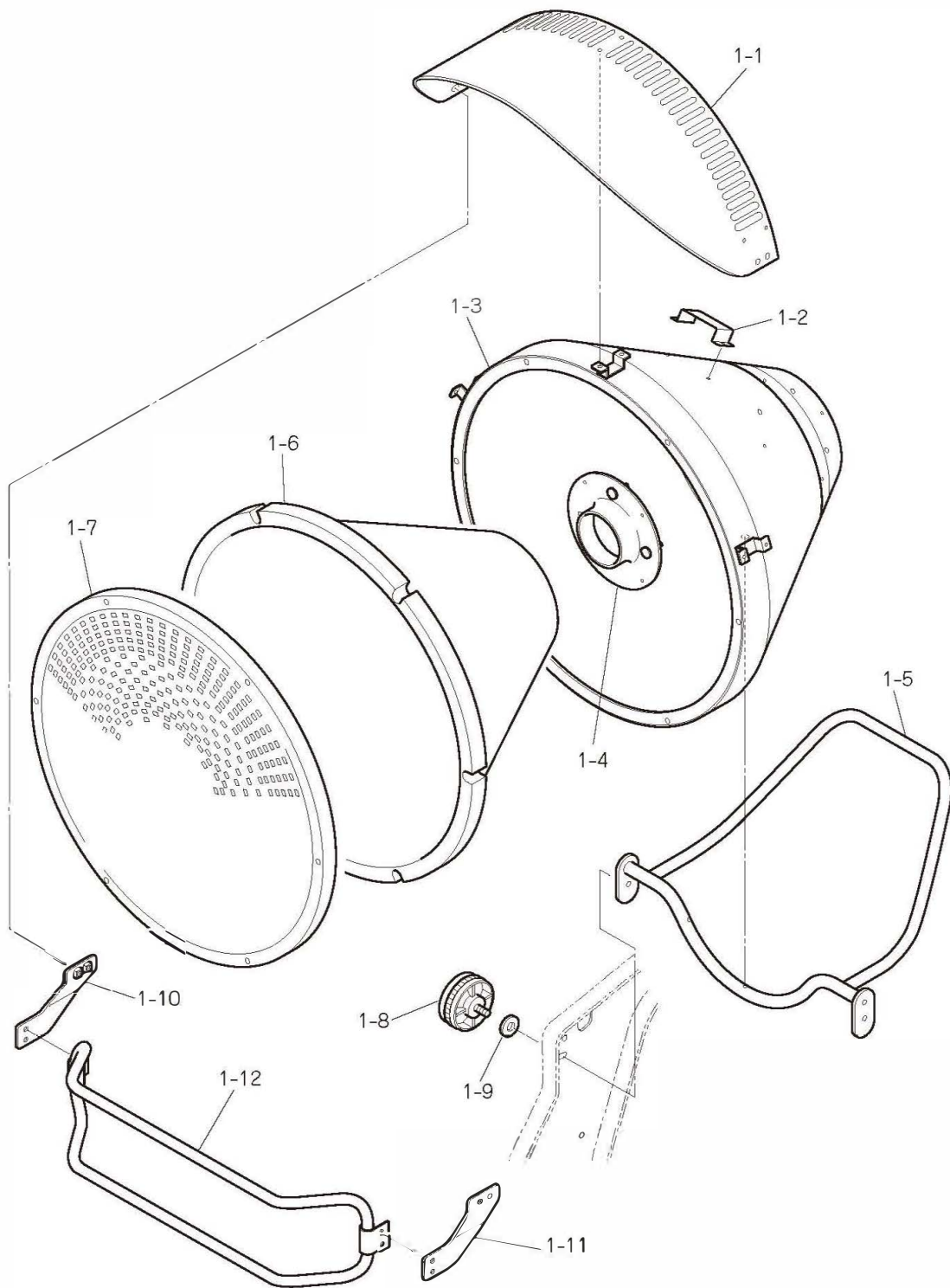
Type

◆ EPX5 for 120V 60Hz

March 2021

Shizuoka Seiki Co.,Ltd.

* PRICES AND SPECIFICATIONS ARE SUBJECT TO CHANGE WITHOUT NOTICE*



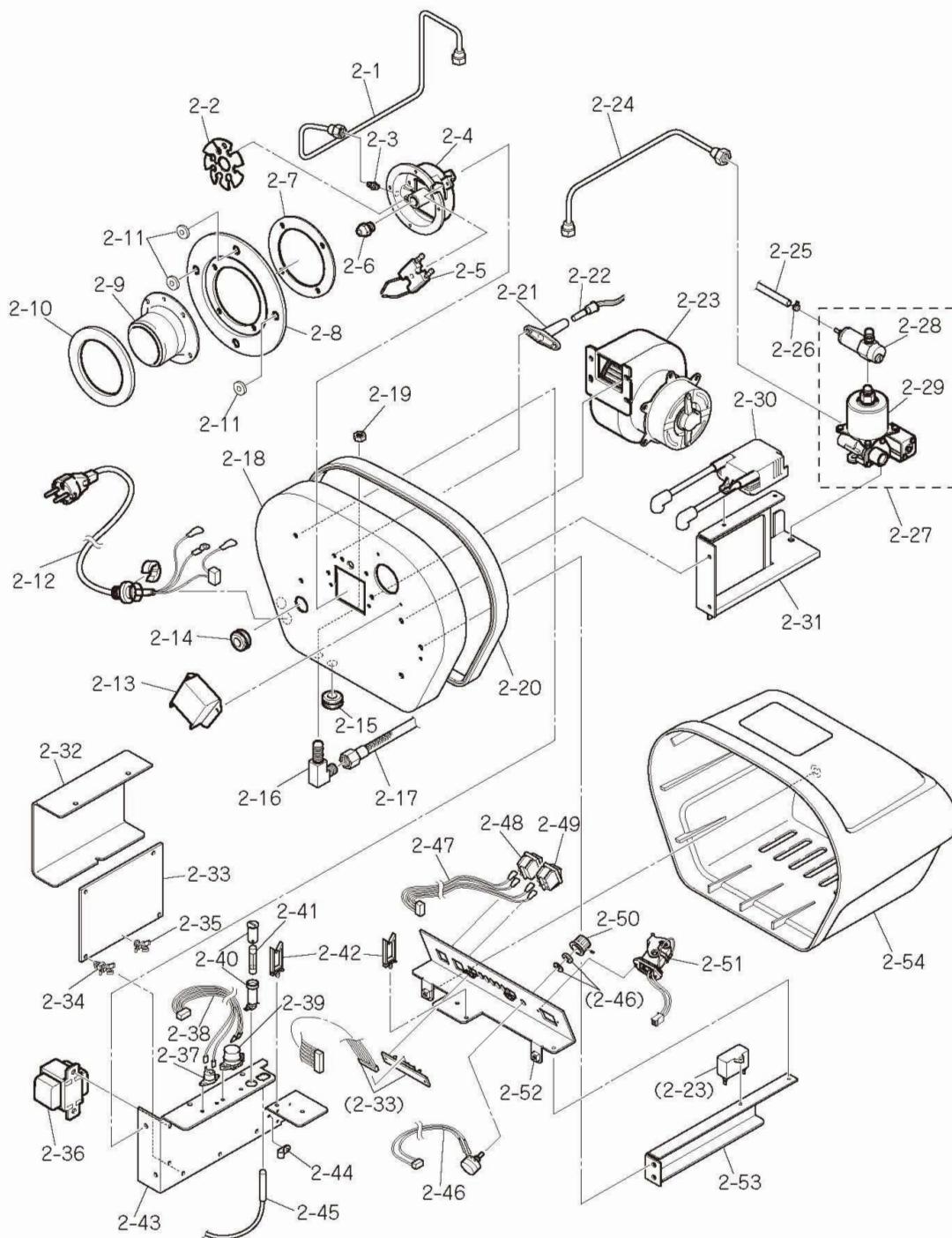
VAL6 EPX_Combustion Section 09.03.26

Shizuoka Seiki Co.,Ltd.

Revised: March 2021

| Part No. | PART NAME <COMBUSTION SECTION> | CODE NO. | JSO NO | Q'TY/ SET | EPX5 | REMARKS |
|----------|-----------------------------------|-------------|--------------|--------------|------|------------------------|
| 1-1 | Visor | 50335203003 | VAL-EPX-1-01 | 1 | ● | |
| 1-2 | Caution Label Plate | 50335103006 | VAL-EPX-1-02 | 1 | ● | WITH 50300203002 LABEL |
| 1-3 | Conical Housing | 50335103004 | | 1 | N/A | changed to 50335180001 |
| | Conical Housing Assembly | 50335180001 | VAL-EPX-1-03 | 1 | ● | include 1-2 |
| 1-4 | Burner Fitting Piece | 50335203007 | VAL-EPX-1-04 | 1 | ● | |
| 1-5 | Support Pipe | 50335103002 | VAL-EPX-1-05 | 1 | ● | |
| 1-6 | Conical Insulator | 50335203002 | VAL-EPX-1-06 | 1 | ● | |
| 1-7 | Radiation Disk | 50335203001 | VAL-EPX-1-07 | 1 | ● | |
| 1-8 | Knob Bolt | 50229202074 | VAL-KSL-T-07 | 1 | ● | |
| 1-9 | Gasket | 213005002-9 | | 1 | N/A | Replace to 50239203024 |
| | | 50239203024 | VAL-EPX-1-09 | 1 | ● | |
| 1-10 | Protector Bracket (L) | 50335203006 | VAL-EPX-1-10 | 1 | ● | |
| 1-11 | Protector Bracket (R) | 50335203005 | VAL-EPX-1-11 | 1 | ● | |
| 1-12 | Protector Assembly | 50335103005 | VAL-EPX-1-12 | 1 | ● | |

210254



VAL6 EPX Burner Section 09.03.26

Shizuoka Seiki Co., Ltd.

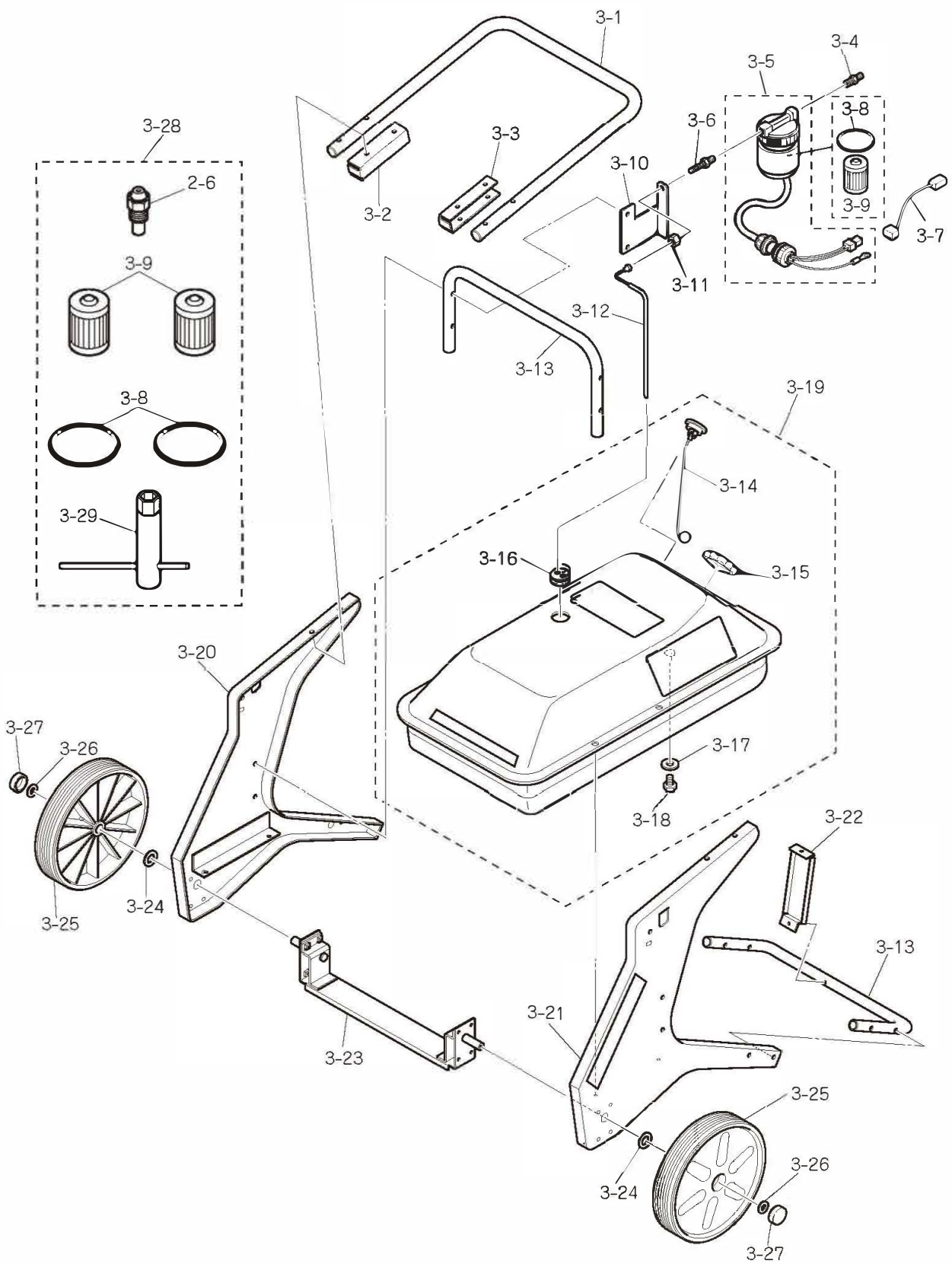
Revised: March 2021

□-mark means that the parts supply period is over and there are limited numbers of stock.

| Part No. | PART NAME <BURNER SECTION> | CODE NO. | JSO NO. | QTY/ SET | EPX5 | REMARKS |
|----------|-------------------------------|-------------|---------------|-------------|------|---------------------------------|
| 2-1 | Fuel Outlet Line | 50335201007 | VAL-EPX-2-01 | 1 | ● | |
| 2-2 | Whirl Vane | 50335201012 | VAL-EPX-2-02 | 1 | ● | |
| 2-3 | Nozzle Nipple | 50217202052 | VAL-KSL-B-09 | 1 | ● | |
| 2-4 | Diffuser | 50284202007 | VAL-NA-R-12 | 1 | ● | |
| 2-5 | Electrode | 50303201010 | VAL-KSL-B-07A | 1 | ● | |
| 2-6 | Nozzle | 50300201018 | VAL-KSL-B-04 | 1 | □ | 0.85G/60°H for H lot(2008) only |
| | | 50335201038 | VAL-KSL-B-04A | 1 | ● | 0.75G/60°H |
| 2-7 | Diffuser Packing | 50298201020 | VAL-KSL-B-03 | 1 | ● | |
| 2-8 | Burner Flange | 50300201008 | VAL-KSL-B-02 | 1 | ● | |
| 2-9 | Burner Cone | 50300201017 | VAL-KSL-B-01 | 1 | ● | |
| 2-10 | Burner Packing | 50335201036 | VAL-EPX-2-10 | 1 | ● | |
| 2-11 | Spacer Ring | 50335201037 | VAL-EPX-2-11 | 3 | ● | |
| 2-12 | Power Cable | 50337201002 | VAL-EPX-2-12 | 1 | ● | |
| 2-13 | Electrode Cover | 50298201008 | VAL-KSL-B-06 | 1 | ● | |
| 2-14 | Pump Nozzle Grommet | 21022003-25 | VAL-KSL-B-22 | 1 | ● | |
| 2-15 | Φ16 Grommet | 50335201029 | VAL-EPX-2-15 | 1 | ● | |
| 2-16 | Return Line Nipple | 21300503-60 | VAL-1JA-B-33 | 1 | N/A | Discontinued from 2015 |
| | | 50213201007 | | 1 | ● | Replacement for 21300503-60 |
| 2-17 | Fuel Hose | 50220203003 | VAL-EPX-2-17 | 1 | ● | L=450 |
| 2-18 | Burner Base | 50335201001 | VAL-EPX-2-18 | 1 | ● | |
| 2-19 | Nipple Fitting Nut | 21300503-58 | VAL-KSL-B-37 | 1 | ● | same as 3-11 |
| 2-20 | Base Packing | 50335201018 | VAL-EPX-2-20 | 1 | ● | |
| 2-21 | Flame Monitor Holder | 50262202029 | VAL-KSL-B-47 | 1 | ● | |
| 2-22 | Flame Monitor Complete | 50335101009 | VAL-EPX-2-22 | 1 | ● | w/o flame holder |
| 2-23 | Fan Motor | 50337201004 | VAL-EPX-2-23 | 1 | ● | |
| 2-24 | Fuel Intake Line | 50335201006 | VAL-EPX-2-24 | 1 | ● | |
| 2-25 | Return Hose | 50335201008 | VAL-EPX-2-25 | 1 | ● | |
| 2-26 | Hose Clamp | 50319202016 | VAL-KSL-B-50 | 1 | ● | |
| 2-27 | Fuel Pump with air vent valve | 50337201003 | VAL-EPX-2-27H | 1 | □ | for H lot(2008) only |
| | | 50337201007 | VAL-EPX-2-27 | 1 | ● | |
| 2-30 | Ignition Transformer | 50298201006 | VAL-KSL-B-27 | 1 | ● | till 2018 |
| | | 50337201010 | VAL-EPX-2-30A | 1 | ● | from 2018/2019 V-04~ |
| 2-31 | Pump Transformer Bracket | 50335201002 | VAL-EPX-2-31 | 1 | ● | |
| 2-32 | Burner Control Cover | 50337101005 | VAL-EPX-2-32 | 1 | ● | label:50335201017+50300201028 |
| 2-33 | Burner Control Board | 50337170001 | VAL-EPX-2-33H | 1 | □ | for H lot(2008) only |
| | | 50335201039 | VAL-EPX-2-33 | 1 | ● | |
| 2-34 | Control Board Support | 50229201037 | VAL-KSL-B-30 | 4 | ● | |
| 2-35 | Control Board Spacer | 50271202023 | VAL-EPX-2-35 | 2 | ● | |
| 2-36 | Step Down Transformer | 50300201005 | VAL-KSL-B-24 | 1 | ● | |
| 2-37 | Overheat Sensor | 50288202001 | VAL-EPX-2-37 | 1 | ● | |
| 2-38 | Overheat Sensor Cable | 50335201028 | VAL-EPX-2-38 | 1 | ● | |
| 2-39 | Tip-Over Switch | 50298202015 | VAL-KSL-B-44 | 1 | ● | |
| 2-40 | Fuse Holder | 50300201024 | VAL-KSL-B-18A | 1 | ● | |

□-mark means that the parts supply period is over and there are limited numbers of stock.

| Part No. | PART NAME <BURNER SECTION> | CODE NO. | JSO NO. | QTY/ SET | EPX5 | REMARKS |
|----------|-------------------------------|-------------|---------------|-------------|------|------------------------------------|
| 2-41 | Fuse | 50300201026 | VAL-KSL-B-17A | 1 | ● | |
| 2-42 | Wire Binding | 50810201055 | VAL-EPX-2-42 | 2 | ● | till 2015 |
| | | 50335201048 | VAL-EPX-2-42A | 2 | ● | from 2016 Z01 (WS-4) |
| 2-43 | Control Board Chassis | 50335201003 | VAL-EPX-2-43 | 1 | ● | |
| 2-44 | Nylon Clamp | 50304202022 | VAL-EPX-2-44 | 1 | ● | |
| 2-45 | Temperature Sensor | 50304202021 | VAL-EPX-2-45 | 1 | ● | |
| 2-46 | Internal Thermostat Cable | 50335101007 | VAL-EPX-2-46 | 1 | ● | |
| 2-47 | Operation Switch Cable | 50335201026 | VAL-EPX-2-47 | 1 | ● | |
| 2-48 | Change-Over Switch | 50288204014 | | 1 | N/A | till H-02 change to 50335201045 |
| | | 50335201045 | VAL-EPX-2-48 | 1 | ● | from G-01 |
| 2-49 | Operation Switch | 50288204013 | | 1 | N/A | till H-02 change to 50335201044 |
| | | 50335201044 | VAL-EPX-2-49 | 1 | ● | from G-01 |
| 2-50 | Internal Thermostat Knob | 50335201025 | VAL-EPX-2-50 | 1 | ● | |
| 2-51 | External Thermostat Connector | 50335101008 | VAL-EPX-2-51 | 1 | ● | |
| 2-52 | Operating Panel | 50335101011 | VAL-EPX-2-52 | 1 | ● | |
| 2-53 | Operating Bracket | 50335201010 | VAL-EPX-2-53 | 1 | ● | |
| 2-54 | Burner Cover | 50337180002 | VAL-EPX-2-54 | 1 | ● | w/o 50335201043 |



VAL6 EPX_Tank Section 09.03.26

| Part No. | PART NAME <TANK SECTION> | | | Q'TY /SET | EPX5 | REMARKS |
|----------|---|-------------|----------------|-----------|------|--------------------------|
| 3-1 | Handle | 50335202012 | VAL-EPX-3-01 | 1 | ● | till 2014 B lot |
| 3-1A | | 50335202030 | VAL-EPX-3-01A | 1 | ● | from 2015 A-01 |
| 3-2 | Handle Stay Bracket (L) | 50335202019 | VAL-EPX-3-02 | 1 | ● | |
| 3-3 | Handle Stay Bracket (R) | 50335202020 | VAL-EPX-3-03 | 1 | ● | till 2014 B lot |
| 3-3A | | 50335202031 | VAL-EPX-3-03A | 1 | ● | from 2015 A-01 |
| 3-4 | Filter Hose Nipple | 22031001-43 | VAL-KSL-B-15 | 1 | ● | |
| 3-5 | Strainer Heater Assembly (with body) | 50337102002 | VAL-EPX-3-05 | 1 | ● | |
| 3-6 | Filter Nipple | 50306201010 | VAL-EPX-3-06 | 1 | ● | |
| 3-7 | Strainer Heater Relay Cable | 50337201006 | VAL-EPX-3-07H | 1 | N/A | till G-01 |
| | | 50337201009 | VAL-EPX-3-07 | 1 | ● | from G-02 |
| 3-8 | O Ring | 21021003-13 | VAL-KSL-B-38-1 | 1 | ● | |
| 3-9 | Filter Element | 21021003-10 | VAL-KSL-B-14 | 1 | ● | |
| 3-10 | Filter Fitting Bracket | 50335202014 | VAL-EPX-3-10 | 1 | ● | |
| 3-11 | Nipple Fitting Nut | 21300503-58 | VAL-KSL-B-37 | 1 | ● | same as 2-19 |
| 3-12 | Suction Pipe Assembly | 50335102011 | VAL-EPX-3-12 | 1 | ● | |
| 3-13 | Support Pipe | 50335202013 | VAL-EPX-3-13 | 2 | ● | |
| 3-14 | Fuel Gauge | 50335202021 | VAL-EPX-3-14 | 1 | ● | |
| 3-15 | Tank Cap | 50335102008 | VAL-KSL-T-18A | 1 | ● | |
| 3-16 | Suction Return Packing | 50317203013 | VAL-DS-T-05A | 1 | ● | |
| 3-17 | Drain Packing | 50231204021 | VAL-KSL-T-21 | 1 | ● | |
| 3-18 | Drain Bolt | 50231204020 | VAL-KSL-T-22 | 1 | ● | |
| 3-19 | Fuel Tank Assembly | 50337102003 | VAL-EPX-3-19 | 1 | ● | sticker (50337202002) |
| 3-20 | Side Panel(L) | 50335102012 | VAL-EPX-3-20 | 1 | ● | |
| 3-21 | Side Panel(R) | 50335102013 | VAL-EPX-3-21 | 1 | ● | |
| 3-22 | Tank Support Bracket | 50335202011 | VAL-EPX-3-22 | 1 | ● | |
| 3-23 | Wheel Bearing Assembly | 50335102006 | VAL-EPX-3-23 | 1 | ● | |
| 3-24 | Wheel Spacer | 50335202028 | VAL-EPX-3-24 | 2 | ● | |
| 3-25 | Wheel | 50335202007 | VAL-EPX-3-25 | 2 | ● | |
| 3-26 | Wheel Washer | 50335202022 | VAL-EPX-3-26 | 2 | ● | |
| 3-27 | Shaft Cap | 50335202010 | VAL-EPX-3-27 | 2 | ● | |
| 3-28 | Repair Set | 50335150002 | VAL-EPX-3-28 | 1 | ● | |
| 3-29 | Nozzle Wrench | 21022003-68 | VAL-KSL-B-38-2 | 1 | ● | |

210254

| | | | | | | |
|--------|-----------------------------|-------------|-------------|---|---|--|
| Option | Shielding Mat (10 Pcs Pack) | 50300205001 | VAL-MAT | | | |
| Option | Strainer Heater | 50337180001 | VAL-EPX-STH | 1 | ● | |